

## DT02-V SERIES SURVEILLANCE HDD

Toshiba's Surveillance HDD DT02-V Series are designed for purpose-built consumer and commercial surveillance video systems supporting up to 32 cameras [1]. The versatile capacity allows solutions designers to customize the storage capacity that optimum aligns with image resolution and stable video recording requirements. DT02-V series use an energy-saving 5400 rpm design to deliver performance tuned for demanding 24/7, multi-stream surveillance environments. DT02-V series are designed to be compatible with the wide variety of surveillance platforms available from leading SVR and NVR vendors.



Product image may represent a design model.

### KEY FEATURES

- Up to 6 TB<sup>[2]</sup> capacity
- Supports up to 32 cameras high-definition streams
- 128 MiB Cache buffer helps to smooth video recording and guard against frame drops
- Designed for 24x7 operation
- Annual workload rating of 180 TB/year<sup>[3]</sup>
- MTTF of 1M hours<sup>[4]</sup>
- Industry-standard 3.5-inch form-factor<sup>[5]</sup> and SATA interface
- Advanced Format 512e Sector Technology
- Drive-Managed SMR (Shingled magnetic recording) Technology

### APPLICATIONS

- Network Video Recorders (NVR)
- Entry- and Mid-Range Surveillance NVR (SNVR) and SDVR platforms
- Hybrid (analog and IP) SDVR platforms

### SPECIFICATIONS

Item		DT02ABA600V	DT02ABA400V	DT02ABA200V
Interface		SATA-3.3		
Formatted Capacity		6 TB	4 TB	2 TB
Performance	Interface Speed <sup>[6]</sup>	6.0 Gbit/s, 3.0 Gbit/s, 1.5 Gbit/s		
	Rotation Speed	5400 rpm		
	Buffer Size	128 MiB <sup>[7]</sup>		
	Maximum Data Transfer Speed <sup>[8]</sup> (Sustained) (Typ.)	176.4 MiB/s		
Logical Data Block Length <sup>[9]</sup>		HOST: 512 B, DISK: 4096 B		
Supply Voltage	Allowable Voltage	12 V <sup>[10]</sup> ± 10 % / 5 V <sup>[10]</sup> ± 5 % <sup>[11]</sup>		
Power Consumption	Operating (Typ.) <sup>[12]</sup>	4.48 W	4.11 W	4.01 W
	Active idle (Typ.)	2.69 W	2.36 W	2.08 W
	Standby (Typ.)	0.20 W	0.20 W	0.31 W
Acoustics (Sound Power) <sup>[13]</sup>	Low Power Idle (Typ.)	24 dB	22 dB	21 dB

## ENVIRONMENTAL LIMITS

Item		Specification
Ambient temperature	Operating	0 °C to 60 °C (No condensation)
	Non-Operating <sup>[14]</sup> <sup>[15]</sup>	- 40 °C to 70 °C (No condensation)
Enclosure surface temperature	Operating	0 °C to 70 °C (No condensation) <sup>[16]</sup>
Relative Humidity	Operating	5 % to 90 % R.H. (No condensation)
	Non-Operating	5 % to 95 % R.H. (No condensation)
Altitude	Operating	- 305 m to 3048 m
	Non-Operating <sup>[14]</sup>	- 305 m to 12 192 m
Shock <sup>[14]</sup>	Operating	686 m/s <sup>2</sup> { 70 G } ( 2 ms duration )
	Non-Operating	6TB: 2940 m/s <sup>2</sup> { 300 G } / 4TB, 2TB: 3430 m/s <sup>2</sup> { 350 G } ( 2 ms duration )
Vibration <sup>[14]</sup>	Operating <sup>[15]</sup>	4.90 m/s <sup>2</sup> { 0.50 G } ( 5 to 350 Hz ) 2.45 m/s <sup>2</sup> { 0.25 G } ( 350 to 500 Hz )
	Non-Operating <sup>[17]</sup>	29.4 m/s <sup>2</sup> { 3.0 G } ( 5 to 500 Hz )

## RELIABILITY

Item	Specification
MTTF / AFR <sup>[4]</sup>	1 000 000 hours / 0.88%
Non-recoverable Error Rate	1 error per 10 <sup>14</sup> bits read
Load / Unload	600 000 times
Availability	24 hours/day, 7 days/week
Rated Annual Workload (Total TB Transferred per Year, R/W)	180 TB/year

[1] Number of surveillance cameras support capability is defined by performance simulation with High Definition cameras at 4 Mbit/s rate. Actual results may vary based on various factors, including the types of cameras installed, the system's hardware and software capabilities, and the video compression technology used, as well as system variables such as resolution, frames per second, and other settings.

[2] Definition of capacity: One terabyte (TB) = one trillion bytes, but storage capacity actually available may vary depending on operating environment and formatting. Available storage capacity (including examples of various media files) will vary based on file size, formatting, settings, software and operating system and/or pre-installed software applications, or media content. Actual formatted capacity may vary.

[3] Workload is defined as the amount of data written, read or verified by commands from host system.

[4] MTTF (Mean Time to Failure) of the HDDs during its life time is 1 000 000 hours and AFR (Annualized Failure Rate) is 0.88 %. (POH: 8760 hours per one year of 24 x 7 operational capabilities for normal surveillance usage and environments. Average HDA surface temperature: 40°C or less., workloads: 180 TB/year, which is defined as the amount of data written, read or verified by commands from host system) Continual or sustained operation at case HDA surface temperature above 40°C may degrade product reliability

[5] "3.5-inch" means the form factor of HDDs. They do not indicate drive's physical size.

[6] Read and write speed may vary depending on the host device, read and write conditions, and file size.

[7] A kibibyte (KiB) means 2<sup>10</sup>, or 1024 bytes, a mebibyte (MiB) means 2<sup>20</sup>, or 1 048 576 bytes, and a gibibyte (GiB) means 2<sup>30</sup>, or 1 073 741 824 bytes.

[8] The maximum sustained data rate and interface speed may be restricted to the response speed of host system and by transmission characteristics.  
1 Gbit/s = 1 000 000 000 bit/s. 1 MiB/s = 1 048 576 B/s

[9] Read-modify-write is supported.

[10] Input voltages are specified at the HDD connector side, during HDD ready state.

[11] Make sure the value is not less than DC -0.3 V (less than -0.6 V, 0.1 ms) when turning on or off the power.

[12] Operating watt is measured using 80% random read/write and 20 % performance idle.

[13] The measuring method is based on ISO 7779.

[14] Vibration applied to the HDD is measured at near the mounting screw hole on the frame as much as possible.

[15] At random seek write/read and default on retry setting with log sweep vibration.

[16] Operation of high surface temperature will be shortened of the drives useful life. The recommendation operating condition of surface temperature is less than 60°C.

[17] At power-off state after installation.

## MARKING

### 1) WEEE

Following information is only for EU-member states:

The use of the symbol indicates that this product may not be treated as household waste. By ensuring this product is disposed of correctly, you will help prevent potential negative consequences for the environment and human health, which could otherwise be caused by inappropriate waste handling of this product. For more detailed information about recycling of this product, please contact your local city office, your household waste disposal service or the shop where you purchased the product.



### 2) Names and Contents of Hazardous Substances or Elements in Products

产品中有害物质的名称及含量

部件名称	有害物质					
	铅 (Pb)	汞 (Hg)	镉 (Cd)	六价铬 (Cr (VI))	多溴联苯 (PBB)	多溴二苯醚 (PBDE)
HDD (硬盘驱动器)	×	○	○	○	○	○

本表格依据 SJ/T 11364 的规定编制。  
○：表示该有害物质在该部件所有均质材料中的含量均在 GB/T 26572 规定的限量要求以下。  
×：表示该有害物质至少在该部件的某一均质材料中的含量超出 GB/T 26572 规定的限量要求。



中华人民共和国环保使用期限

## SAFETY / EMI STANDARDS

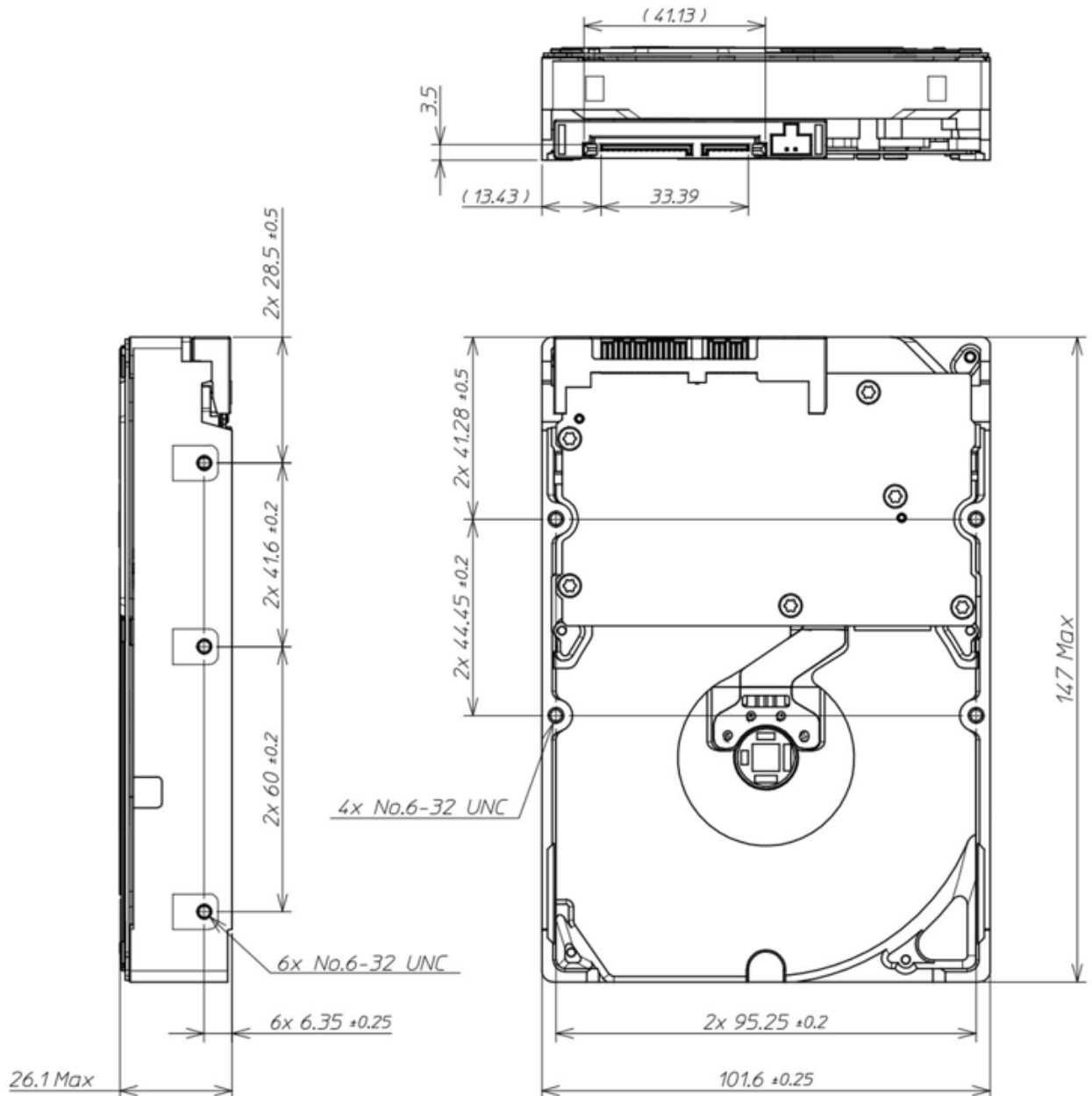
Title	Region
UL (Underwriters Laboratories)	USA
CSA (Canadian Standard Association)	Canada
TÜV (Technischer Überwachungs Verein)	Germany
BSMI (Bureau of Standards, Metrology and Inspection)	Taiwan
MSIP (Ministry of Science, ICT & Future Planning)	Korea
ACMA (Australian Communications and Media Authority)	Australia
EAC (EurAsian Conformity)	Member countries of Customs Union and Eurasian Economic Union
Matches the basic requirements of resolutions: No. 2574.14 of 16 July 2015 on electromagnetic compatibility of equipment. No. 2573.14 of 16 July 2015 on electrical appliances intended for use in certain tensions. This compliance has been established according to the following Moroccan standards.	Morocco

### (Note) Marks of KC

Made in Japan	 <ol style="list-style-type: none"> <li>1. 기기의 명칭(모델명) : DT02ABA600V / DT02ABA400V</li> <li>2. 인증번호 : R-R-T48-DT02ABA600V</li> <li>3. 인증받은 자의 상호 : TOSHIBA ELECTRONIC DEVICES &amp; STORAGE CORPORATION</li> <li>4. 제조년월일 : 2019-06</li> <li>5. 제조자 / 제조국가 : TOSHIBA ELECTRONIC DEVICES &amp; STORAGE CORPORATION / 일본</li> </ol>
	 <ol style="list-style-type: none"> <li>1. 기기의 명칭(모델명) : DT02ABA200V</li> <li>2. 인증번호 : R-R-T48-DT02ABA200V</li> <li>3. 인증받은 자의 상호 : TOSHIBA ELECTRONIC DEVICES &amp; STORAGE CORPORATION</li> <li>4. 제조년월일 : 2019-12</li> <li>5. 제조자 / 제조국가 : TOSHIBA ELECTRONIC DEVICES &amp; STORAGE CORPORATION / 일본</li> </ol>
Made in China	 <ol style="list-style-type: none"> <li>1. 기기의 명칭(모델명) : DT02ABA600V / DT02ABA400V</li> <li>2. 인증번호 : R-R-T48-DT02ABA600V</li> <li>3. 인증받은 자의 상호 : TOSHIBA ELECTRONIC DEVICES &amp; STORAGE CORPORATION</li> <li>4. 제조년월일 : 2019-06</li> <li>5. 제조자 / 제조국가 : TOSHIBA ELECTRONIC DEVICES &amp; STORAGE CORPORATION / 중국</li> </ol>
	 <ol style="list-style-type: none"> <li>1. 기기의 명칭(모델명) : DT02ABA200V</li> <li>2. 인증번호 : R-R-T48-DT02ABA200V</li> <li>3. 인증받은 자의 상호 : TOSHIBA ELECTRONIC DEVICES &amp; STORAGE CORPORATION</li> <li>4. 제조년월일 : 2019-12</li> <li>5. 제조자 / 제조국가 : TOSHIBA ELECTRONIC DEVICES &amp; STORAGE CORPORATION / 중국</li> </ol>

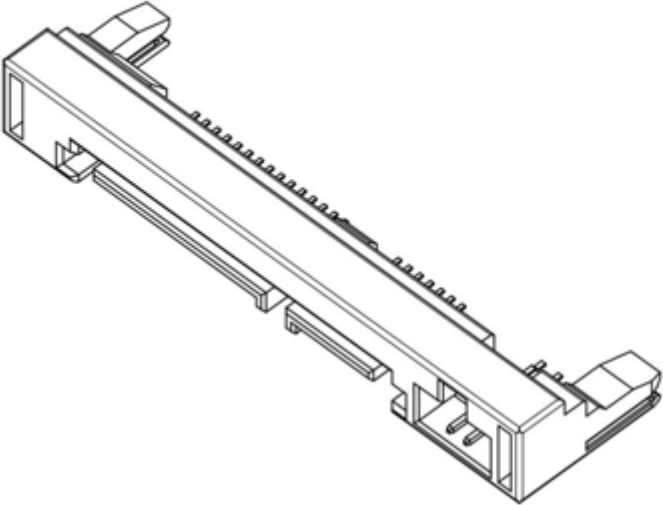
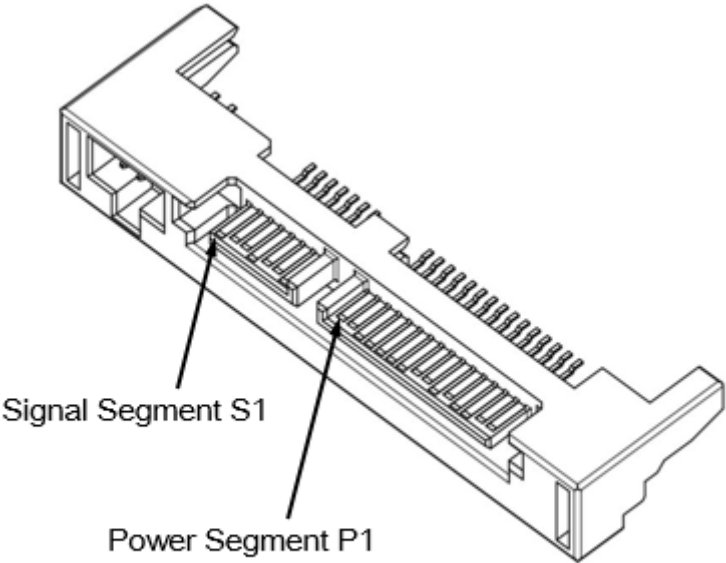
## MECHANICAL SPECIFICATIONS

Item	DT02ABA600V	DT02ABA400V	DT02ABA200V
Width	101.6 mm ± 0.25 mm		
Height (Max)	26.1 mm		
Length (Max)	147.0 mm		
Weight (Max)	680 g	650 g	440 g



[Unit: mm]

INTERFACE CONNECTOR



## INTERFACE CONNECTOR (SATA plug) SIGNAL ALLOCATION

Segment	Pin No.	Pin Definition		
Signal Segment	S1	GND	2 <sup>nd</sup> Mate	
	S2	A+	Differential Pair A from PHY (Device Rx+)	
	S3	A-	Differential Pair A from PHY (Device Rx-)	
	S4	GND	2 <sup>nd</sup> Mate	
	S5	B-	Differential Pair B from PHY (Device Tx-)	
	S6	B+	Differential Pair B from PHY (Device Tx+)	
	S7	GND	2 <sup>nd</sup> Mate	
Power Segment	P1	-	(Unused)	
	P2	-	(Unused)	
	P3	-	(Unused)	
	P4	GND	1 <sup>st</sup> Mate	
	P5	GND	2 <sup>nd</sup> Mate	
	P6	GND	2 <sup>nd</sup> Mate	
	P7	V5	5 V Power Pre-Charge 2 <sup>nd</sup> Mate	
	P8	V5	5 V Power	
	P9	V5	5 V Power	
	P10	GND	2 <sup>nd</sup> Mate	
	P11	Spin	- Staggered Spin-up Mode Detect (Input)	
		ACT	- Activity LED Drive (Output)	
	P12	GND	1 <sup>st</sup> Mate	
	P13	V12	12 V Power Pre-Charge 2 <sup>nd</sup> Mate	
	P14	V12	12 V Power	
P15	V12	12 V Power		

Notice: This drive uses 5 V and 12 V power. 3.3 V power is not used.  
HDA (Head Disk Assembly) and DC ground (ground pins on interface) are connected electrically each other.

## COMMAND TABLE (Part 1)

Op-Code	Command Name
E5h / 98h	CHECK POWER MODE
B1h	DEVICE CONFIGURATION
92h/93h	DOWNLOAD MICROCODE /DOWNLOAD MICROCODE DMA
90h	EXECUTE DIAGNOSTICS
E7h	FLUSH CACHE
EAh	FLUSH CACHE EXT
ECh	IDENTIFY DEVICE
E3h / 97h	IDLE
E1h / 95h	IDLE IMMEDIATE
E1h	IDLE IMMEDIATE WITH UNLOAD FEATURE
91h	INITIALIZE DEVICE PARAMETERS
00h	NOP
E4h	READ BUFFER
C8h	READ DMA
25h	READ DMA EXT
60h	READ FPDMA QUEUED
2Fh	READ LOG EXT
47h	READ LOG DMA EXT
C4h	READ MULTIPLE
29h	READ MULTIPLE EXT
F8h	READ NATIVE MAX ADDRESS
27h	READ NATIVE MAX ADDRESS EXT
20h	READ SECTOR(S)
24h	READ SECTOR(S) EXT
40h	READ VERIFY SECTOR(S)
42h	READ VERIFY SECTOR(S) EXT



## COMMAND TABLE (Part 2)

Op-Code	Command Name
1xh	RECALIBRATE
0Bh	REQUEST SENSE DATA EXT
B4h	SANITIZE DEVICE
F1h	SECURITY SET PASSWORD
F2h	SECURITY UNLOCK
F3h	SECURITY ERASE PREPARE
F4h	SECURITY ERASE UNIT
F5h	SECURITY FREEZE LOCK
F6h	SECURITY DISABLE PASSWORD
70h – 76h, 79h – 7Fh	SEEK
77h	SET DATE & TIME EXT
EFh	SET FEATURES
F9h	SET MAX
37h	SET MAX ADDRESS EXT
C6h	SET MULTIPLE MODE
E6h / 99h	SLEEP
B0h	SMART Function Set
D6h	SMART WRITE LOG SECTOR
D8h	SMART ENABLE OPERATIONS
D9h	SMART DISABLE OPERATIONS
DAh	SMART RETURN STATUS
DBh	SMART ENABLE/DISABLE AUTOMATIC OFF-LINE
E2h / 96h	STANDBY
E0h/94h	STANDBY IMMEDIATE
E8h	WRITE BUFFER
CAh	WRITE DMA
35h	WRITE DMA EXT
3Dh	WRITE DMA FUA EXT
61h	WRITE FPDMA QUEUED
3Fh	WRITE LOG EXT
57h	WRITE LOG DMA EXT
C5h	WRITE MULTIPLE
39h	WRITE MULTIPLE EXT
CEh	WRITE MULTIPLE FUA EXT
30h	WRITE SECTOR(S)
34h	WRITE SECTOR(S) EXT
45h	WRITE UNCORRECTABLE EXT
3Ch	WRITE VERIFY

## RESTRICTIONS ON PRODUCT USE

Toshiba Corporation and its subsidiaries and affiliates are collectively referred to as "TOSHIBA". Hardware, software and systems described in this document are collectively referred to as "Product".

- TOSHIBA reserves the right to make changes to the information in this document and related Product without notice.
- This document and any information herein may not be reproduced without prior written permission from TOSHIBA. Even with TOSHIBA's written permission, reproduction is permissible only if reproduction is without alteration/omission.
- Though TOSHIBA works continually to improve Product's quality and reliability, Product can malfunction or fail. Customers are responsible for complying with safety standards and for providing adequate designs and safeguards for their hardware, software and systems which minimize risk and avoid situations in which a malfunction or failure of Product could cause loss of human life, bodily injury or damage to property, including data loss or corruption. Before customers use the Product, create designs including the Product, or incorporate the Product into their own applications, customers must also refer to and comply with (a) the latest versions of all relevant TOSHIBA information, including without limitation, this document, the specifications, the data sheets and application notes for Product and the precautions and conditions set forth in the "TOSHIBA Semiconductor Reliability Handbook" and (b) the instructions for the application with which the Product will be used with or for. Customers are solely responsible for all aspects of their own product design or applications, including but not limited to (a) determining the appropriateness of the use of this Product in such design or applications; (b) evaluating and determining the applicability of any information contained in this document, or in charts, diagrams, programs, algorithms, sample application circuits, or any other referenced documents; and (c) validating all operating parameters for such designs and applications. **TOSHIBA ASSUMES NO LIABILITY FOR CUSTOMERS' PRODUCT DESIGN OR APPLICATIONS.**
- **PRODUCT IS NEITHER INTENDED NOR WARRANTED FOR USE IN EQUIPMENTS OR SYSTEMS THAT REQUIRE EXTRAORDINARILY HIGH LEVELS OF QUALITY AND/OR RELIABILITY, AND/OR A MALFUNCTION OR FAILURE OF WHICH MAY CAUSE LOSS OF HUMAN LIFE, BODILY INJURY, SERIOUS PROPERTY DAMAGE AND/OR SERIOUS PUBLIC IMPACT ("UNINTENDED USE").** Except for specific applications as expressly stated in this document, Unintended Use includes, without limitation, equipment used in nuclear facilities, equipment used in the aerospace industry, lifesaving and/or life supporting medical equipment, equipment used for automobiles, trains, ships and other transportation, traffic signaling equipment, equipment used to control combustions or explosions, safety devices, elevators and escalators, and devices related to power plant. **IF YOU USE PRODUCT FOR UNINTENDED USE, TOSHIBA ASSUMES NO LIABILITY FOR PRODUCT.** For details, please contact your TOSHIBA sales representative or contact us via our website.
- Do not disassemble, analyze, reverse-engineer, alter, modify, translate or copy Product, whether in whole or in part.
- Product shall not be used for or incorporated into any products or systems whose manufacture, use, or sale is prohibited under any applicable laws or regulations.
- The information contained herein is presented only as guidance for Product use. No responsibility is assumed by TOSHIBA for any infringement of patents or any other intellectual property rights of third parties that may result from the use of Product. No license to any intellectual property right is granted by this document, whether express or implied, by estoppel or otherwise.
- **ABSENT A WRITTEN SIGNED AGREEMENT, EXCEPT AS PROVIDED IN THE RELEVANT TERMS AND CONDITIONS OF SALE FOR PRODUCT, AND TO THE MAXIMUM EXTENT ALLOWABLE BY LAW, TOSHIBA (1) ASSUMES NO LIABILITY WHATSOEVER, INCLUDING WITHOUT LIMITATION, INDIRECT, CONSEQUENTIAL, SPECIAL, OR INCIDENTAL DAMAGES OR LOSS, INCLUDING WITHOUT LIMITATION, LOSS OF PROFITS, LOSS OF OPPORTUNITIES, BUSINESS INTERRUPTION AND LOSS OF DATA, AND (2) DISCLAIMS ANY AND ALL EXPRESS OR IMPLIED WARRANTIES AND CONDITIONS RELATED TO SALE, USE OF PRODUCT, OR INFORMATION, INCLUDING WARRANTIES OR CONDITIONS OF MERCHANTABILITY, FITNESS FOR A PARTICULAR PURPOSE, ACCURACY OF INFORMATION, OR NONINFRINGEMENT.**
- Do not use or otherwise make available Product or related software or technology for any military purposes, including without limitation, for the design, development, use, stockpiling or manufacturing of nuclear, chemical, or biological weapons or missile technology products (mass destruction weapons). Product and related software and technology may be controlled under the applicable export laws and regulations including, without limitation, the Japanese Foreign Exchange and Foreign Trade Law and the U.S. Export Administration Regulations. Export and re-export of Product or related software or technology are strictly prohibited except in compliance with all applicable export laws and regulations.
- Product may include products subject to foreign exchange and foreign trade control laws.
- Please contact your TOSHIBA sales representative for details as to environmental matters such as the RoHS compatibility of Product. Please use Product in compliance with all applicable laws and regulations that regulate the inclusion or use of controlled substances, including without limitation, the EU RoHS Directive. **TOSHIBA ASSUMES NO LIABILITY FOR DAMAGES OR LOSSES OCCURRING AS A RESULT OF NONCOMPLIANCE WITH APPLICABLE LAWS AND REGULATIONS.**

---

## Toshiba Electronic Devices & Storage Corporation

<https://toshiba.semicon-storage.com/>