

Blizzard 230V



integrated encoder



Simple release device with key (optional)

Die-cast aluminium basement

GEARMOTOR FOR SLIDING GATES

- Available versions: 230V for gates up to 500-900 Kg.
- Sturdy inner kinematic mechanism.
- Magnetic Limit Switches.
- Electronic control board with transparent plastic enclosure and external programming buttons.
- Huge selection of operating logics and working parameters.
- Compact dimensions.
- Big internal space for wiring; easy operator height and depth installation adjustments.

Code	Name	Version	Voltage	Leaf Weight	Use
61100821	Blizzard 500 C ENC	Non-reversible - Sprint 382 on board	230V	500 kg	Residential/Condominium
61100861	Blizzard 900 C ENC	Non-reversible - Sprint 382 on board	230V	900 kg	Residential/Condominium

OPERATOR DIMENSIONS

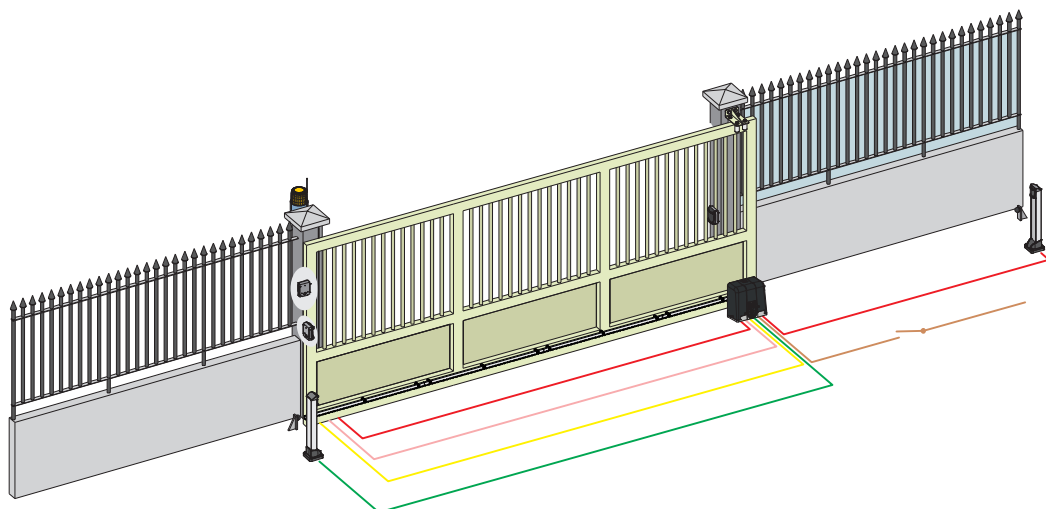


Technical Specifications	Blizzard 500 C ENC	Blizzard 900 C ENC
Power supply (V)	230	
Electric motor (V)	230	
Nominal power (W)	360	540
Thermal Protection (°C)	140 (self-resetting)	
Capacitor (µF)	10	12,5
Max thrust force (N)	390	590
Type of pinion gear	Z16 mod.4	
Leaf speed (m/min)	12	
Frequency of use at 20°C	S3 - 40%	
Operating ambient temperature (°C)	-20 +55	
Protection class	IP44	
Weight (kg)	9,2	10

CONTROL BOARDS

Sprint 382

Page 65



- Line3x1,5 mm²
- Flashing lamp2x1,5 mm²
- Selector2x0,5 mm²
- TX photocells2x0,5 mm²
- RX photocells4x0,5 mm²

TYPICAL INSTALLATION EXAMPLE

Q.ty	Material description	Part number
1	BLIZZARD 500 C ENC Gearmotor with incorporated control board and encoder	61100821
1	Foundation Plate	737000
4 m	Galvanised Rack 30x12	JA146
4	Spacers and weld-on fastening screws	JA147
1	5-PIN one-channel receiver 868 MHz	6100352
1	Two-channels transmitter KILO TX2 JLC	6100332
1	230 V GUARD flashing lamp	6100052
1	VEGA Photocells	6100147
1	QUICK 1 key-operated selector for outdoor use	JA31101-15

Material to add in order to get the configuration as per Wiring Diagram

Q.ty	Material description	Part number
1	Pair of ORION photocells	JA310
2	Column for photocell	JA325
2	Foundation plate for column	JA328

ACCESSORIES



RACK
1 m. in galvanised iron 30 x 12 mm¹.

Code **JA146**



NYLON RACK WITH STEEL CORE 30X20 MOD.4
pack of 4 pieces, 1 m ea.

Code **6100344**



SPACERS
Kit of 3 spacers and M8x30 weld-on fastening screws for 1 meters of iron rack²

Code **JA147**



SPACERS
Kit of 3 spacers and M8x50 screw-on fastening screws for 1 meters of iron rack²

Code **JA148**



SCREWS
Kit screw-in fastening screws for 1m of rack - 4 kit pieces (to be combined with code 6100344)

Code **6100345**



LOCK
Lock with personalized key

Code **424413**



FOUNDATION PLATE

Code **737000**



ADAPTER PLATE BLIZZARD-MILORD

Code **737001**



ADAPTER PLATE BLIZZARD - FALCON

Code **737003**

1 - 6 m package.
2 - 6 kits package.