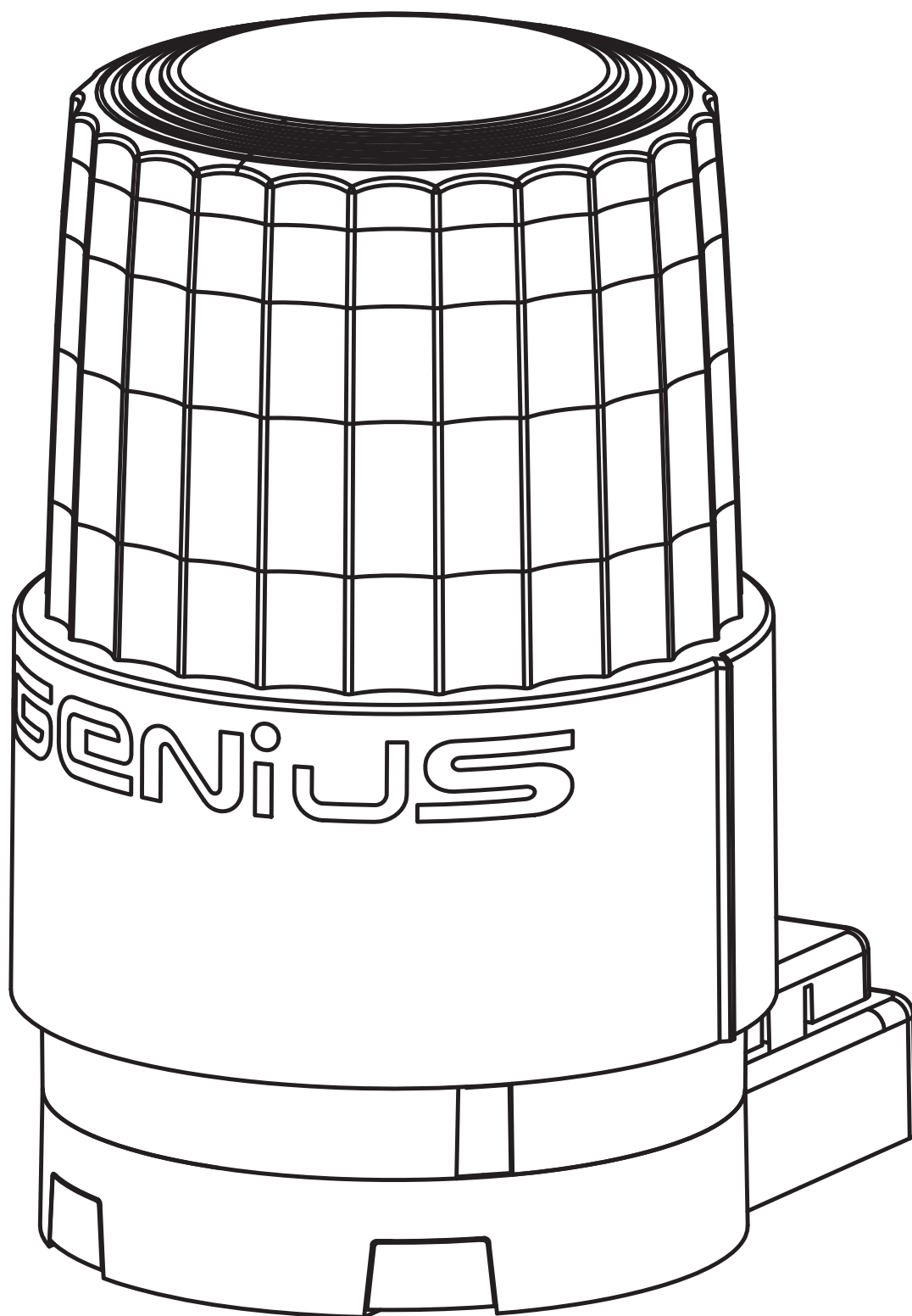




GENIUS[®]

AUTOMATISMI PER CANCELLI

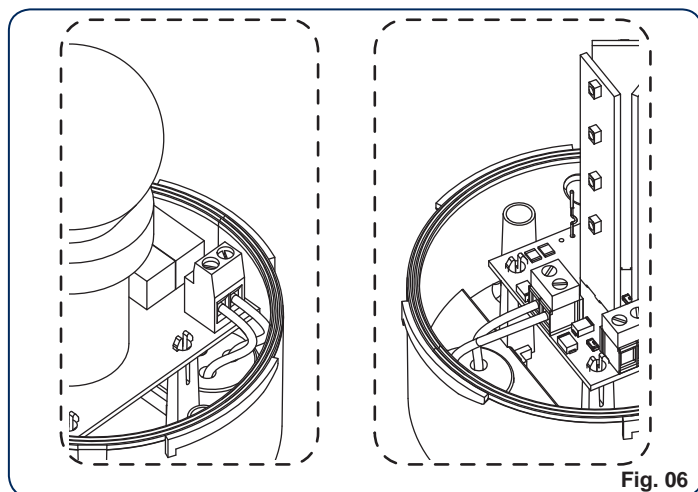
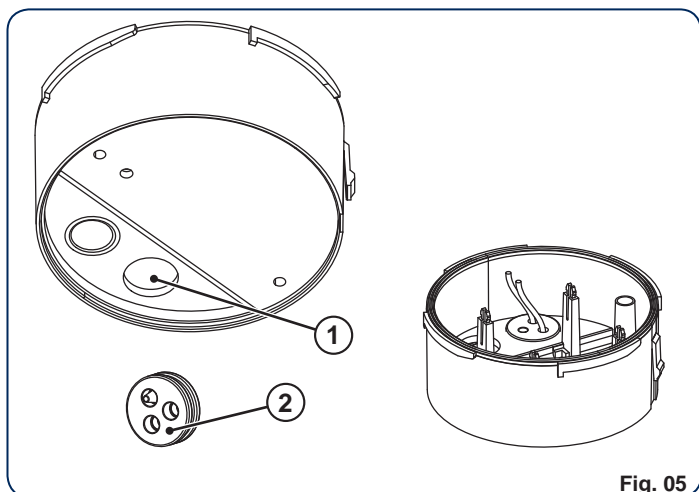
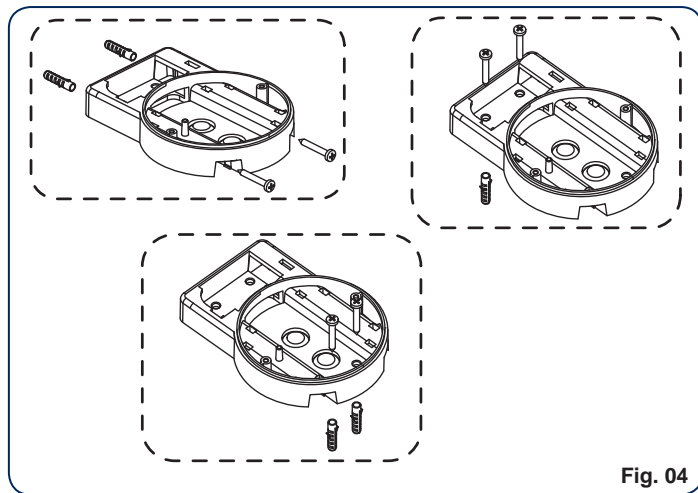
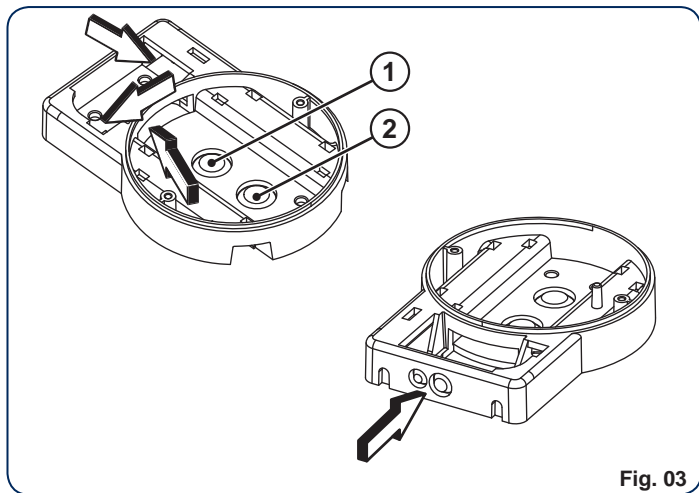
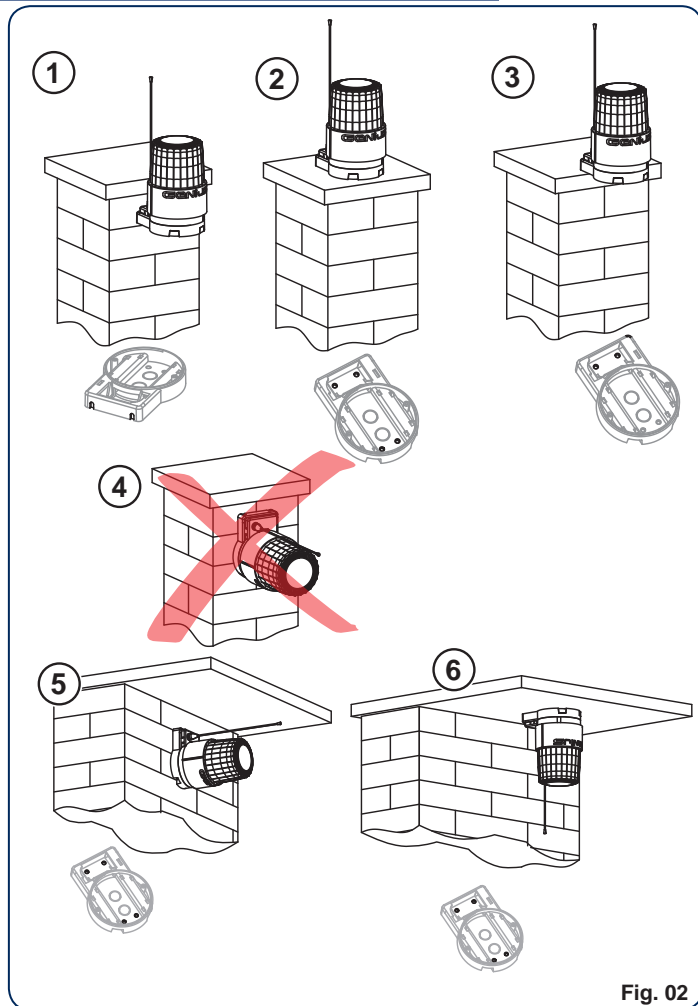
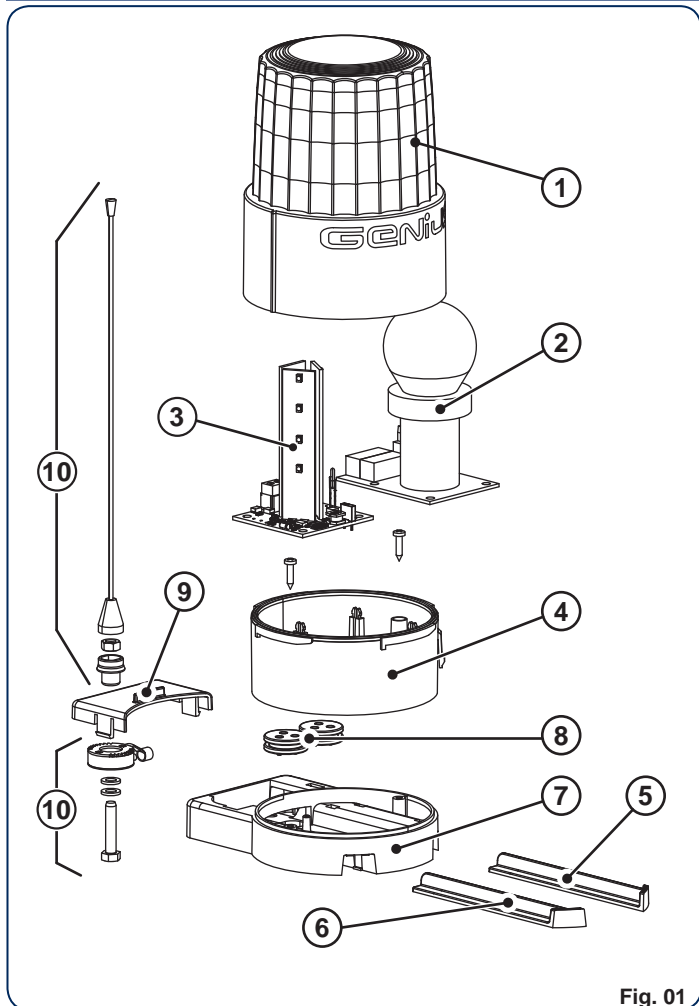
COMPANY
WITH QUALITY SYSTEM
CERTIFIED BY DNV
= UNI EN ISO 9001/2000=



GUARD

GUIDA PER L'INSTALLATORE - GUIDE FOR THE INSTALLER
GUIDE POUR L'INSTALLATEUR - GUÍA PARA EL INSTALADOR
LEITFADEN FÜR DEN INSTALLATEUR - GIDS VOOR DE INSTALLATEUR





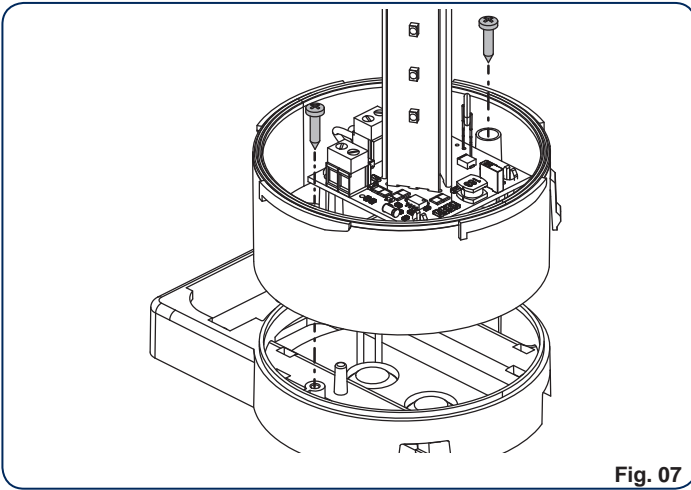


Fig. 07

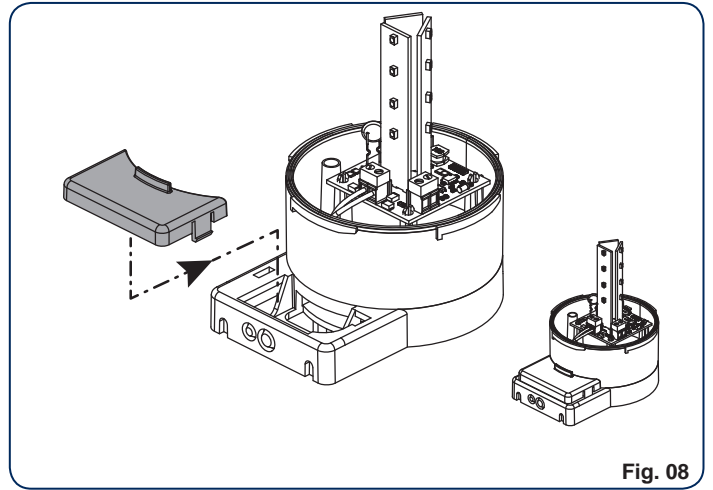


Fig. 08

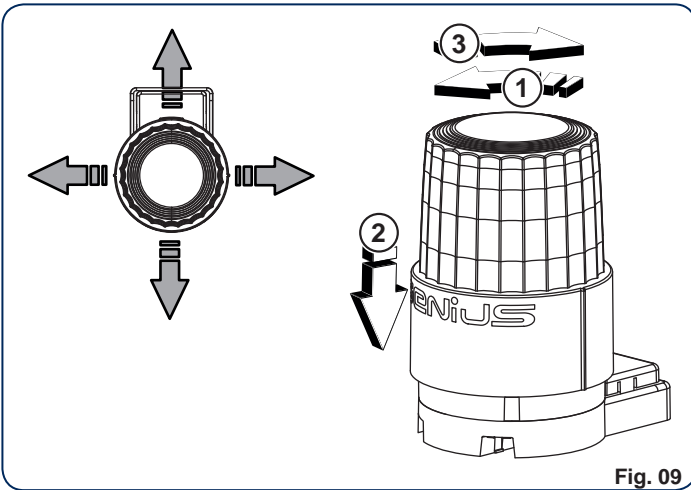


Fig. 09

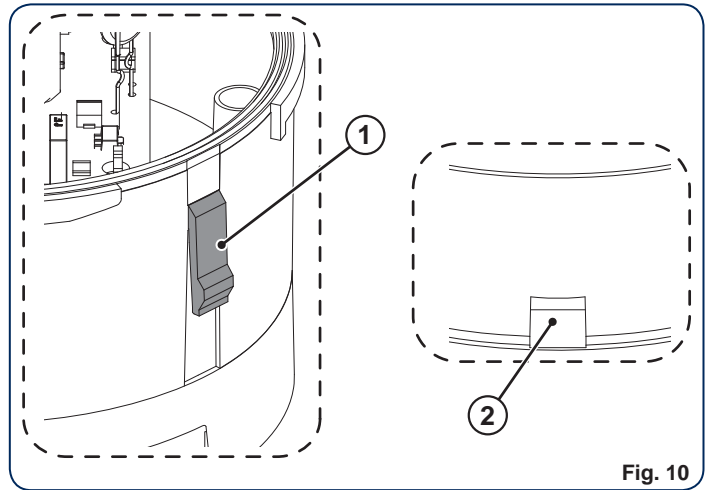


Fig. 10

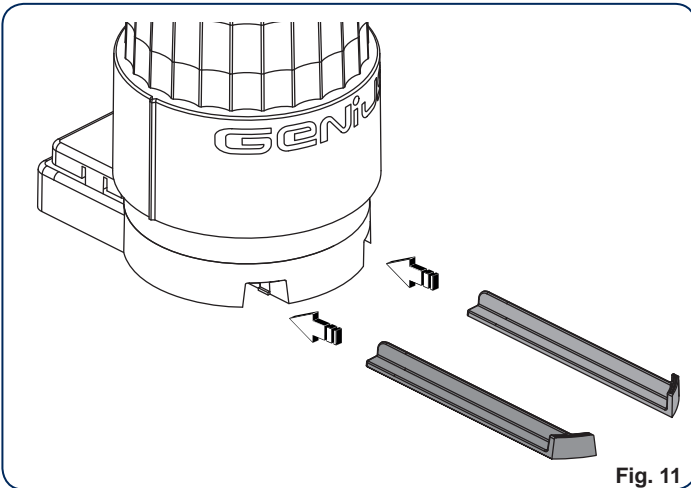


Fig. 11

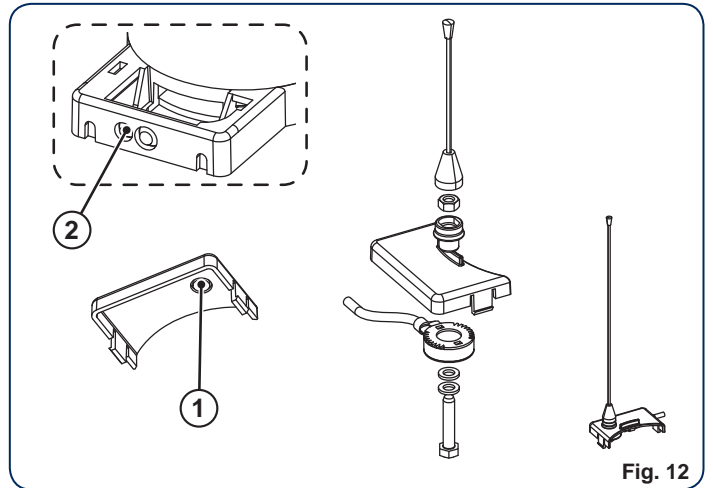


Fig. 12

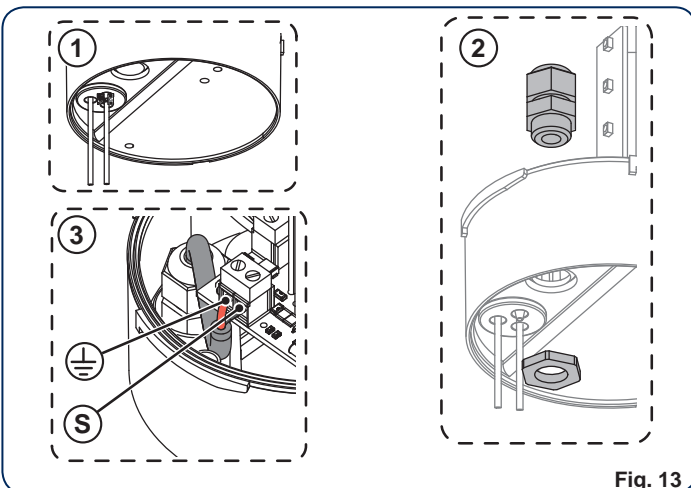


Fig. 13

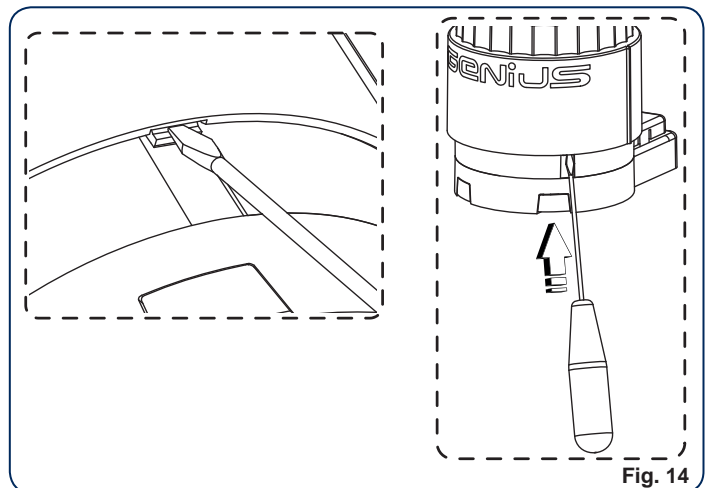


Fig. 14



SPECIFICATIONS

	MODEL					
	GUARD				LED GUARD	
	230 V~	115 V~	24 V=	12 V=	230 V~ / 115 V~	24 V=
Power Supply	230V~ (+6%-10%)	115V~ (+6%-10%)	24 V= 24 V=	12 V= 12 V=	230V~ / 115V~ (+6%-10%)	24 V= 24 V=
Absorbed power	40 W	40 W	15 W	15 W	3W	4W
Fixed light	NO	NO	YES	YES	NO	YES
Intermittent	YES	YES	NO	NO	YES	NO
Lamp	E27 40W Max	E27 40W Max.	E14 15W Max.	BA 15S 15W Max.	White LED	White LED
Antenna	Optional	Optional	Optional	Optional	Built in	Built in
Operating ambient-temperature	↓-20°C ↑+55°C	↓-20°C ↑+55°C	↓-20°C ↑+55°C	↓-20°C ↑+55°C	↓-20°C ↑+55°C	↓-20°C ↑+55°C
Protection class	IP 55	IP 55	IP 55	IP 55	IP 55	IP 55
Insulation class	Class II	Class II	Class III	Class III	Class II	Class III

DESCRIPTION

See figure 1

Pos	Description
①	Cover
②	Lamp-holder board (traditional version)
③	Board with LEDs (LED version)
④	Cover base
⑤	Right slide
⑥	Left slide
⑦	Flashing lamp support
⑧	Cable runner
⑨	Antenna support
⑩	Antenna (optional)

INSTALLATION AND CONNECTIONS

⚠ Horizontal or upturned fixing (Fig. 2 ref. ④,⑤ and ⑥) is allowed only in covered areas, e.g. in buried boxes.

⚠ To maintain the protection class IP55 the flashing lamp must be installed on a flat surface. The flashing lamp support must rest evenly.

The flashing lamp can be installed in different positions (Fig. 2), depending on installation needs.

For installation proceed as follows:

- Choose the installation position keeping in mind that:
 - a- It must be fixed vertically, except for covered areas (Fig. 2).
 - b- It must be visible from every direction
 - c- It must not be covered by trees, signs or other objects
 - d- It must be positioned in the immediate vicinity of the gate
- Clear the necessary fixing holes, fig. 2.
- Choose the cable passage areas (power supply and antenna, if used) among those shown in Fig. 3.

The position ① and ② refer to two pre-bored holes, which must be opened.

- Insert the power cable (and the antenna cable, if used).
- Fix the support using the wedges Ø5 (Fig. 4).
- Clear a pre-bored hole at the base of the cover (Fig. 5 ref. ①).
- Clear two holes on the cable runner (Fig. 5 ref. ②).

The cable runner is designed for wire passage only.

- Insert the power cable and connect it to the board (Fig. 6).

To connect the antenna in the LED versions, refer to the paragraph "Installing the Antenna".

- Fix the board inside the cover support.
- Fix the cover support to the base of the flashing lamp (Fig. 7).
- Position the antenna support (Fig. 8).
- Install the flashing lamp cover (Fig. 9):
 - a- The logo on the cover can be placed in four different positions, separated by 90°.
 - b- Position the cover with the logo facing the desired position.
 - c- Turn slightly anti-clockwise until the cover enters its housing.

d- Turn clockwise until the cover locks in place.

On the base of the cover there is a locking tab (Fig. 10 ref. ①) which must couple with the opening made in the cover (Fig. 10 ref. ②).

- Install the two front slides (Fig. 11).

INSTALLING THE ANTENNA

FLASHING LAMP GUARD

- Clear the pre-bored holes, Ø9 (Fig. 12 ref. ① ②).
- Install the antenna and the provided accessories (Fig. 12).
- Insert the antenna cable separating it from the power supply cable.
- Position the antenna support and then the cover.

The antenna support cannot be removed if the cover is installed.

LED GUARD FLASHING LAMP

The LED version is equipped with a built-in antenna. To connect it, proceed as follows:

- Make a Ø 12.5 hole in the cover support (Fig. 13 ref. ①).
- Install an M12x1.5 (or PG7) cable runner, not supplied, as shown in figure 13.
- Insert the antenna cable and connect it to the dedicated terminals precisely as shown in figure 13.

⚠ To connect the antenna, use a coaxial cable RG58 (not supplied).

MAINTENANCE

REPLACING THE LIGHT BULB

- Press the locking tab shown in fig. 14 and remove the cover by turning it anti-clockwise.
- Replace the light bulb with a new one having the same specifications.
- Refit the cover.

CE DECLARATION OF CONFORMITY

Manufacturer: GENIUS S.p.A. con Socio Unico
Address: Via Padre Elzi, 32 - 24.50 - Grassobbio - Bergamo - ITALY
Declares that: Flashing lamp mod. **GUARD**

conforms to the essential safety requirements of the following EEC directives:

- 2006/95/EC Low Voltage directive
- 2004/108/EC Electromagnetic Compatibility directive

Additional information:

This product underwent a test in a typical uniform configuration (all products manufactured by GENIUS S.p.A.)

Grassobbio, 28 June 2011

The Managing Director

 Enrico Nardi

Le descrizioni e le illustrazioni del presente manuale non sono impegnative. GENIUS si riserva il diritto, lasciando inalterate le caratteristiche essenziali dell'apparecchiatura, di apportare in qualunque momento e senza impegnarsi ad aggiornare la presente pubblicazione, le modifiche che essa ritiene convenienti per miglioramenti tecnici o per qualsiasi altra esigenza di carattere costruttivo o commerciale.

The descriptions and illustrations contained in the present manual are not binding. GENIUS reserves the right, whilst leaving the main features of the equipments unaltered, to undertake any modifications to holds necessary for either technical or commercial reasons, at any time and without revising the present publication.

Les descriptions et les illustrations du présent manuel sont fournies à titre indicatif. GENIUS se réserve le droit d'apporter à tout moment les modifications qu'elle jugera utiles sur ce produit tout en conservant les caractéristiques essentielles, sans devoir pour autant mettre à jour cette publication .

Las descripciones y las ilustraciones de este manual no comportan compromiso alguno. GENIUS se reserva el derecho, dejando inmutadas las características esenciales de los aparatos, de aportar, en cualquier momento y sin comprometerse a poner al día la presente publicación, todas las modificaciones que considere oportunas para el perfeccionamiento técnico o para cualquier otro tipo de exigencia de carácter constructivo o comercial.

Die Beschreibungen und Abbildungen in vorliegendem Handbuch sind unverbindlich. GENIUS behält sich das Recht vor, ohne die wesentlichen Eigenschaften dieses Gerätes zu verändern und ohne Verbindlichkeiten in Bezug auf die Neufassung der vorliegenden Anleitungen, technisch bzw, konstruktiv / kommerziell bedingte Verbesserungen vorzunehmen.

De beschrijvingen in deze handleiding zijn niet bindend. GENIUS behoudt zich het recht voor op elk willekeurig moment de veranderingen aan te brengen die het bedrijf nuttig acht met het oog op technische verbeteringen of alle mogelijke andere productie- of commerciële eisen, waarbij de fundamentele eigenschappen van het apparaat gehandhaafd blijven, zonder zich daardoor te verplichten deze publicatie bij te werken.

Timbro rivenditore: / Distributor's stamp: / Timbre de l'agent: / Sello del revendedor: / Fachhändlerstempel: / Stempel dealer:



GENIUS S.p.A. con Socio Unico
Via Padre Elzi, 32 - 24050 GRASSOBBIO (BG) Italy
Tel. +39 035 4242 511 - Fax +39 035 4242 600
www.geniusg.com - e-mail: info@geniusg.com

C.F. -P.IVA e numero iscr. Reg. imprese di Bg: IT 01216820165

Cap. Sociale 250.000 EURO i.v.

CCIAA R.E.A. di BG N° 182140

Società soggetta alla Direzione e Controllo di FAAC S.p.A.



0005810335 Rev.5