



data sheets collections

First version V1-0117

data sheets collections

series
V**T** 2017

1080p LITE

Digital Video Recorder

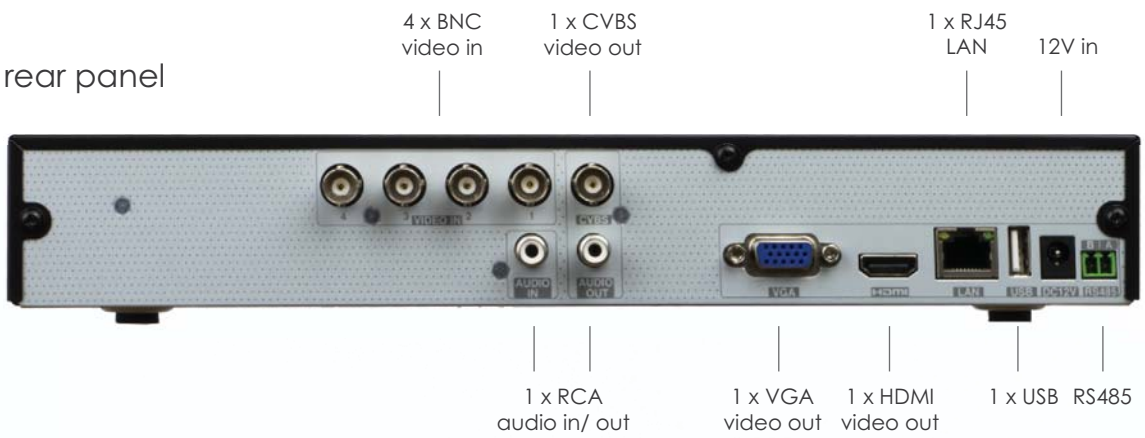
TVI ■ AHD ■ CVI ■ CVBS ■ IP

front panel for all 3 models

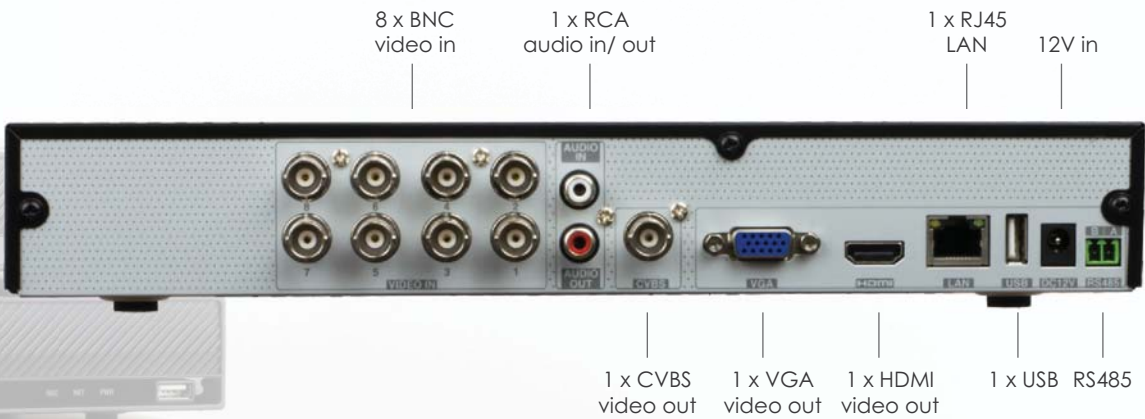


rear panel

VT-1304HL



VT-1308HL



VT-1316HL

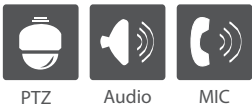
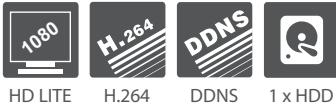


Digital Video Recorder

TVI ■ AHD ■ CVI ■ CVBS ■ IP



HDCCTV
Over Coax



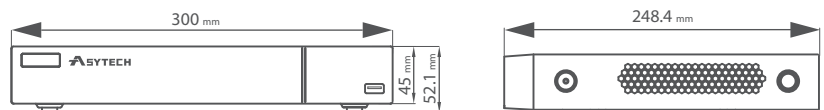
Key Features

- 4/8/16 Ch. TVI/AHD/CVI/CVBS video input
- 4/8/16 Ch. 1080P lite/720P/WD1 recording
- 4 / 8 Ch. DVRs support 1 Ch. IPC 1080P/960P/720P recording
- 16 Ch. DVRs support 2 Ch. IPC 3MP/1080P/960P/720P recording
- Adopt standard H.264 high profile compression format to get high-quality video at much lower bit rate
- Intuitive and user-friendly Graphics User Interface (GUI), window style operation by mouse
- Multi-mode recording: manual / timer / motion
- Playback : 4/8/16 CH simultaneously playback
- Search: time slice, time, event (manual, motion), tag search
- Express and flexible backup via USB, network and so on
- Pentaplex: preview, record, playback, backup and remote access
- DHCP, DDNS, PPPoE network protocol, IE browse and CMS supported
- Remote control via IE or CMS : preview, playback, backup, PTZ and configuration
- Dual stream technology for local storage with high definition, remote network transmission and remote surveillance with mobile device
- Multi-user online simultaneously
- Authorization management, log review and device status review
- HDMI 1080P output, true high resolution display
- Support PTZ preset and auto cruise, up to 255 presets and 8 cruises
- Support NAT function and QRCode scanning by mobile phone and PAD
- Powerful smart phone & Pad surveillance with iOS and Android OS

Specification		VT-1304HL	VT-1308HL	VT-1316HL
System	Compression	Standard H.264 High Profile		
	CPU	Cortex A9		
	OS	Embedded Linux		
Video	Input	BNC x 4	BNC x 8	BNC x 16
	Resolution	TVI / AHD / CVI 1080P lite, 720P, WD1 real time		
	IP Input / Access Bandwidth	IPC x 1 / 6Mbps	IPC x 1 / 6Mbps	IPC x 2 / 12Mbps
	Output	HDMI x 1 : 1920 x 1080, VGA x 1 : 1920 x 1080, BNC x 1 : CVBS (used as the main or spot output)		
Audio	Input	RCA x 1		
	Output	RCA x 1		
	Two-way audio	Take up channel one audio input		
Record	Resolution	1080P lite, 720P, WD1	1080P lite, 720P, 720P lite, WD1	
	Frame Rate	100 fps (PAL) / 120 fps (NTSC)	1080P lite/720P: 100 fps (PAL) / 120 fps (NTSC) 720P lite / WD1: 200 fps (PAL) / 240 fps (NTSC)	1080P lite: 200 fps (PAL) / NTSC 720P: 200 fps (PAL) / 240 fps (NTSC) 720P lite / Wd1: 400 fps (PAL) / 480 fps (NTSC)
	Bit Rate	768Kbps ~ 4Mbps		
	Mode	Manual, timer, motion		
IP Input	Resolution	1080P / 960P / 720P		
	Frame Rate	25fps (PAL) 30fps (NTSC)	25fps (PAL) 30fps (NTSC)	50fps (PAL) 60fps (NTSC)
	Playback	4 CH	8 CH	16 CH
Playback	Search	Time slice / time / event / tag search		
	Smart Search	Highlighted color to display the camera record in a certain period of time, different colors refers to different record events		
	Function	Play, pause, FF, FB, digital zoom, etc.		
	Mode	Manual, motion, exception		
Alarm	Input	No		
	Output	No		
	Triggering	Record, snap, preset, e-mail, etc.		
Network	Interface	RJ45 10/100Mbps x 1		
	Protocol	TCP/IP, PPPoE, DHCP, DNS, DDNS, UPnP, NTP, SMTP		
	Web Client	Multiple users online		
Mobile Device	OS	iOS, Andriod		
Storage	HDD	SATA x 1, max. 6T		
Backup	Local Backup	U disk, USB removable HDD		
	Network Backup	Yes		
Port	RS485	RS485 x 1, connect to PTZ or keyboard		
	USB	USB 2.0 x 2 (one in the front panel and the other in the rear panel)		
	Remote Cont.	Optional (Remote Controller)		
Others	Power Supply	DC 12V		
	Consumption	≤ 5W (without HDD)		≤ 10W (without HDD)
	Dimensions	300 x 248 x 52 (W x D x H) mm		
	Work Temp.	Work Environment -10 ~ 50°C, 10% ~ 90% humidity		

Design and specifications are subject to change without notice.

Dimensions



1080p

Digital Video Recorder

TVI ■ AHD ■ CVI ■ CVBS ■ IP

3 LED indicator
REC, LAN, and POWER 1 x USB

front panel for all 3 models



rear panel

4 x BNC video in 1 x CVBS video out 4 x alarm in 1 x VGA video out 1 x RJ45 LAN 12V in

VT-1304HP



4 x RCA audio in 1 x RCA audio out 1 x alarm out 1 x HDMI video out 1 x USB RS485

1 x alarm out 4 x alarm in 8 x BNC video in 1 x RJ45 LAN 12V in

VT-1308HP



1 x CVBS video out 1 x RCA audio out 4 x RCA audio in 1 x HDMI video out 1 x VGA video out 1 x USB RS485

1 x RCA audio out 16 x BNC video in

VT-1316HP



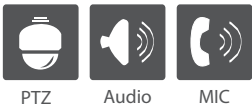
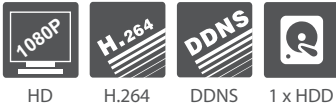
1 x RCA audio in 1 x HDMI video out 1 x VGA video out 1 x USB RS485

Digital Video Recorder

TVI ■ AHD ■ CVI ■ CVBS ■ IP



HD CCTV
Over Coax



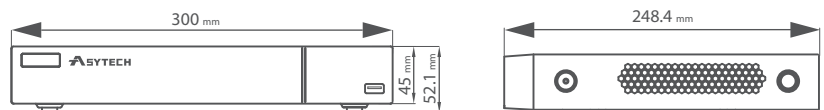
Key Features

- 4/8/16 CH TVI/AHD/CVI/CVBS video input
- 4 /8/16 CH 1080P/720P/WD1 recording
- 4 CH DVRs support 1 Ch. IPC 1080P/960P/720P recording
- 8 CH DVRs support 1 Ch. IPC 3MP/1080P/960P/720P recording
- 16 CH DVRs support 4 Ch. IPC 3MP/1080P/960P/720P recording
- Adopt standard H.264 high profile compression format to get high-quality video at much lower bit rate
- Intuitive and user-friendly Graphics User Interface (GUI), window style operation by mouse
- Multi-mode recording: manual / timer / motion
- Playback : 4/8/16 CH simultaneously playback
- Search: time slice, time, event (manual, motion), tag search
- Express and flexible backup via USB, network and so on
- Pentaplex: preview, record, playback, backup and remote access
- DHCP, DDNS, PPPoE network protocol, IE browse and CMS supported
- Remote control via IE or CMS : preview, playback, backup, PTZ and configuration
- Dual stream technology for local storage with high definition, remote network transmission and remote surveillance with mobile device
- Multi-user online simultaneously
- Authorization management, log review and device status review
- HDMI 1080P output, true high resolution display
- Support PTZ preset and auto cruise, up to 255 presets and 8 cruises
- Support NAT function and QRCode scanning by mobile phone and PAD
- Powerful smart phone & Pad surveillance with iOS and Android OS

Specification		VT-1304HP	VT-1308HP	VT-1316HP
System	Compression	Standard H.264 High Profile		
	CPU	Cortex A9		
	OS	Embedded Linux		
Video	Input	BNC x 4	BNC x 8	BNC x 16
	Resolution	TVI / AHD / CVI 1080P, 720P, WD1 real time		
	IP Input / Access Bandwidth	IPC x 1 / 6Mbps	IPC x 1 / 6Mbps	IPC x 4 / 24Mbps
	Output	HDMI x 1 : 1920 x 1080, VGA x 1 : 1920 x 1080, BNC x 1 : CVBS (used as the main or spot output)		
Audio	Input	RCA x 4	RCA x 4	RCA x 1
	Output	RCA x 1		
	Two-way audio	Take up channel one audio input		
Record	Resolution	1080P, 1080P lite, 720P, 720P lite, WD1		
	Frame Rate	1080P : 50 fps (PAL) 60 fps (NTSC) 1080PLite / 720P / WD1: 100 fps (PAL) 120 fps (NTSC)	1080P : 100 fps (PAL) 120 fps (NTSC) 1080PLite / 720P / WD1: 200 fps (PAL) 240 fps (NTSC)	1080P : 200 fps (PAL) 240 fps (NTSC) 1080PLite / 720P / WD1: 400 fps (PAL) 480 fps (NTSC)
	Bit Rate	768Kbps ~ 8 Mbps		
	Mode	Manual, timer, motion		
IP Input	Resolution	1080P / 960P / 720P	3MP / 1080P / 960P / 720P	
	Frame Rate	25fps (PAL) 30fps (NTSC)	25fps (PAL) 30fps (NTSC)	25fps (PAL) 30fps (NTSC)
Playback	Playback	4 CH	8 CH	16 CH
	Search	Time slice / time / event / tag search		
	Smart Search	Highlighted color to display the camera record in a certain period of time, different colors refers to different record events		
	Function	Play, pause, FF, FB, digital zoom, etc.		
Alarm	Mode	Manual, sensor, motion, exception		
	Input	4	4	No
	Output	1	1	No
Network	Interface	RJ45 10/100Mbps x 1		
	Protocol	TCP/IP, PPPoE, DHCP, DNS, DDNS, UPnP, NTP, SMTP		
	Web Client	Multiple users online		
Mobile Device	OS	iOS, Andriod		
Storage	HDD	SATA x 1, max. 6T		
Backup	Local Backup	U disk, USB removable HDD		
	Network Backup	Yes		
Port	RS485	Rs485 x 1, connect to PTZ or keyboard		
	USB	USB 2.0 x 2 (one in the front panel and the other in the rear panel)		
	Remote Cont.	Optional (Remote Controller)		
Others	Power Supply	DC 12V		
	Consumption	≤ 5W (without HDD) ≤ 8W (without HDD) ≤ 10W (without HDD)		
	Dimensions	300 x 248 x 52 (W x D x H) mm		
	Work Temp.	Work Environment -10 ~ 50°C, 10% ~ 90% humidity		

Design and specifications are subject to change without notice.

Dimensions

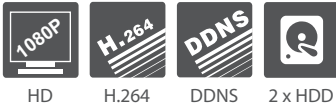


Digital Video Recorder

TVI ■ AHD ■ CVI ■ CVBS ■ IP



HD CCTV
Over Coax



HD H.264 DDNS 2 x HDD



PTZ Audio MIC ALARM

Key Features

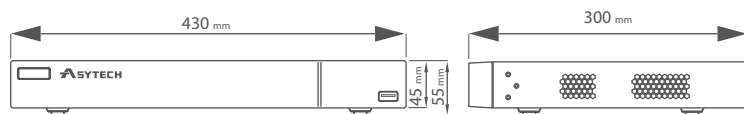
- 16 CH TVI / AHD / CVI / CVBS video input
- 1080P / 1080P lite / 720P recording
- Support 8 CH IPC 3MP / 1080P / 960P / 720P recording
- Adopt standard H.264 high profile compression format to get high-quality video at much lower bit rate
- Intuitive and user-friendly Graphics User Interface (GUI), window style operation by mouse
- Multi-mode recording: manual / timer / motion
- Playback : 16 CH simultaneously playback
- Search: time slice, time, event (manual, motion), tag search
- Express and flexible backup via USB, network and so on
- Pentaplex: preview, record, playback, backup and remote access
- DHCP, DDNS, PPPoE network protocol, IE browse and CMS supported
- Remote control via IE or CMS : preview, playback, backup, PTZ and configuration
- Dual stream technology for local storage with high definition, remote network transmission and remote surveillance with mobile device
- Multi-user online simultaneously
- Authorization management, log review and device status review
- HDMI 1080P output, true high resolution display
- Support PTZ preset and auto cruise, up to 255 presets and 8 cruises
- Support NAT function and QRCode scanning by mobile phone and PAD
- Powerful smart phone & Pad surveillance with iOS and Android OS

Specification

System	Compression	Standard H.264 High Profile
	CPU	Cortex A9
	OS	Embedded Linux
Video	Input	BNC x 16
	Resolution	TVI / AHD / CVI 1080P, 720P, WD1 real time
	IP Input / Access Bandwidth	IPC x 8 / 24Mbps
	Output	HDMI x 1 : 1920 x 1080, VGA x 1 : 1920 x 1080, BNC x 1 : CVBS (used as the main or spot output)
Audio	Input	RCA x 4
	Output	RCA x 1
	Two-way audio	Take up channel one audio input
Record	Resolution	1080P, 1080P lite, 720P, 720P lite, WD1
	Frame Rate	1080P : 1~12fps (PAL / NTSC) 200 fps (PAL) 240 fps (NTSC) 1080PLite / 720P / Wd1: 1~real time (PAL / NTSC) 400 fps (PAL) 480 fps (NTSC)
	Bit Rate	768Kbps ~ 8 Mbps
	Mode	Manual, timer, motion, sensor
IP Input	Resolution	3MP / 1080P / 960P / 720P
	Frame Rate	25fps (PAL) 30fps (NTSC)
Playback	Playback	16 CH
	Search	Time slice / time / event / tag search
	Smart Search	Highlighted color to display the camera record in a certain period of time, different colors refers to different record events
	Function	Play, pause, FF, FB, digital zoom, etc.
Alarm	Mode	Manual, sensor, motion, exception
	Input	4
	Output	1
Network	Triggering	Record, snap, preset, e-mail, etc.
	Interface	RJ45 10/100Mbps x 1
	Protocol	TCP/IP, PPPoE, DHCP, DNS, DDNS, UPnP, NTP, SMTP
Mobile Device	Web Client	Multiple users online
	OS	iOS, Andriod
Storage	HDD	SATA x 2, max. 6 T/HDD
	Backup	Local Backup
Network Backup		Yes
Port	RS485	Rs485 x 1, connect to PTZ or keyboard
	USB	USB 2.0 x 2 (one in the front panel and the other in the rear panel)
	Remote Cont.	Optional (Remote Controller)
Others	Power Supply	DC 12V
	Consumption	≤ 15W (without HDD)
	Dimensions	430x 300 x 55 (W x D x H) mm
	Work Temp.	Work Environment -10 ~ 50°C, 10% ~ 90% humidity

Design and specifications are subject to change without notice.

Dimensions



1080p

Digital Video Recorder

TVI ■ AHD ■ CVI ■ CVBS ■ IP

front panel

VT-2316HP



3 LED indicator
REC, LAN, and POWER

1 x USB



rear panel

1 x alarm out
4 x alarm in

1 x CVBS
video out

16 x BNC
video in

1 x RJ45
LAN

12V in



1 x RCA
audio out

4 x RCA
audio in

1 x HDMI
video out

1 x VGA
video out

1 x USB

RS485



1080p

Digital Video Recorder

TVI ■ AHD ■ CVI ■ CVBS

front panel

VT-4332HP



3 LED indicator
REC, LAN, and POWER

1 x USB



rear panel

32 x BNC
video in

4 x RCA
audio in

220V in



1 x CVBS
video out

1 x RCA
audio out

1 x VGA
video out

1 x HDMI
video out

1 x RJ45
LAN

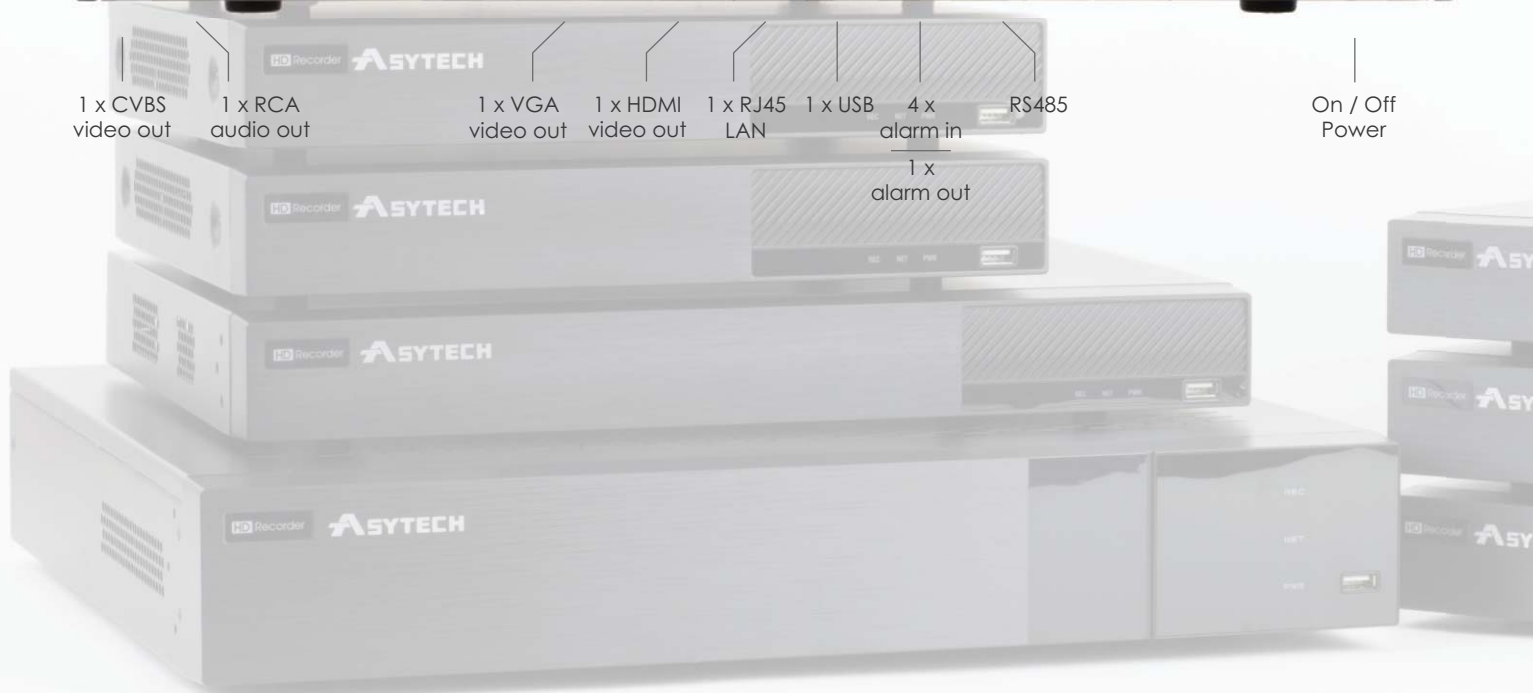
1 x USB

4 x
alarm in

RS485

On / Off
Power

1 x alarm
out



Digital Video Recorder

TVI ■ AHD ■ CVI ■ CVBS



HD CCTV
Over Coax



Key Features

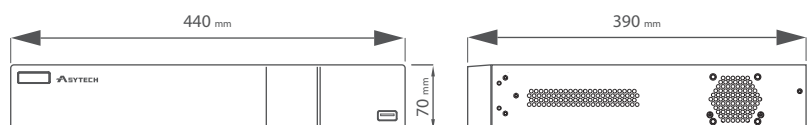
- 32 Ch, TVI / AHD / CVI / CVBS video input
- 1080P / 1080P lite / 720P recording
- Support 8 CH IPC 3MP / 1080P / 960P / 720P recording
- Adopt standard H.264 high profile compression format to get high-quality video at much lower bit rate
- Intuitive and user-friendly Graphics User Interface (GUI), window style operation by mouse
- Multi-mode recording: manual / timer / motion
- Playback : 16 CH simultaneously playback
- Search: time slice, time, event (manual, motion), tag search
- Express and flexible backup via USB, network and so on
- Pentaplex: preview, record, playback, backup and remote access
- DHCP, DDNS, PPPoE network protocol, IE browse and CMS supported
- Remote control via IE or CMS : preview, playback, backup, PTZ and configuration
- Dual stream technology for local storage with high definition, remote network transmission and remote surveillance with mobile device
- Multi-user online simultaneously
- Authorization management, log review and device status review
- HDMI 1080P output, true high resolution display
- Support PTZ preset and auto cruise, up to 255 presets and 8 cruises
- Support NAT function and QRCode scanning by mobile phone and PAD
- Powerful smart phone & Pad surveillance with iOS and Android OS

Specification

System	Compression	Standard H.264 High Profile
	CPU	Cortex A9
	OS	Embedded Linux
Video	Input	BNC x 32
	Resolution	TVI / AHD / CVI 1080P, 720P, WD1 real time
	IP Input / Access Bandwidth	NO
	Output	HDMI x 1 : 1920 x 1080, VGA x 1 : 1920 x 1080, BNC x 1 : CVBS (used as the main or spot output)
Audio	Input	RCA x 4
	Output	RCA x 1
	Two-way audio	Take up channel one audio input
Record	Resolution	1080P, 1080P lite, 720P, 720P lite, WD1
	Frame Rate	1080P : 1~12fps (PAL / NTSC) 200 fps (PAL) 240 fps (NTSC) 1080PLite / 720P / Wd1: 1~real time (PAL / NTSC) 400 fps (PAL) 480 fps (NTSC)
	Bit Rate	768Kbps ~ 8 Mbps
	Mode	Manual, timer, motion, sensor
IP Input	Resolution	3MP / 1080P / 960P / 720P
	Frame Rate	25fps (PAL) 30fps (NTSC)
Playback	Playback	16 CH
	Search	Time slice / time / event / tag search
	Smart Search	Highlighted color to display the camera record in a certain period of time, different colors refers to different record events
	Function	Play, pause, FF, FB, digital zoom, etc.
Alarm	Mode	Manual, sensor, motion, exception
	Input	4
	Output	1
Network	Triggering	Record, snap, preset, e-mail, etc.
	Interface	RJ45 10/100/1000Mbps x 1
	Protocol	TCP/IP, PPPoE, DHCP, DNS, DDNS, UPnP, NTP, SMTP
Mobile Device	Web Client	Multiple users online
	OS	iOS, Andriod
Storage	HDD	SATA x 4, max. 6T per HDD
	Local Backup	U disk, USB removable HDD
Backup	Network Backup	Yes
	RS485	RS485 x 1, connect to PTZ or keyboard
Port	USB	USB 2.0 x 1 (front panel), USB 3.0 x 1 (rear panel)
	Remote Cont.	Optional (Remote Controller)
	Power Supply	ATX 250W
Others	Consumption	≤ 20W (without HDD)
	Dimensions	4440 x 390 x 70 (W x D x H) mm
	Work Temp.	Work Environment -10 ~ 50°C, 10% ~ 90% humidity

Design and specifications are subject to change without notice.

Dimensions



up to 5 MP

Network Video Recorder

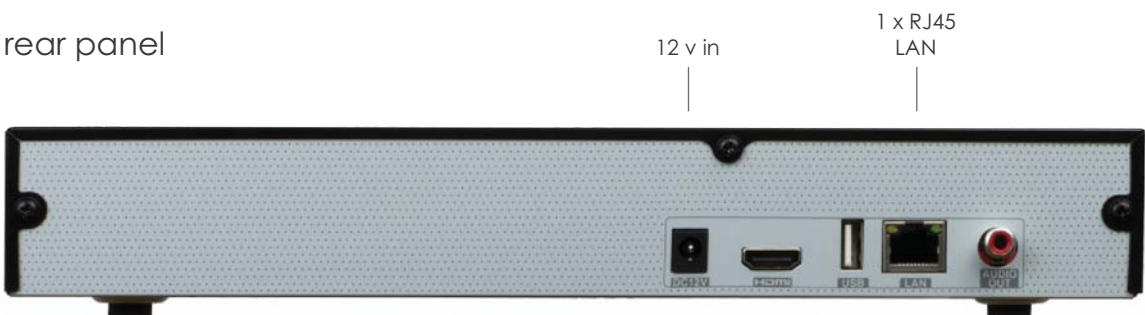
H.265 compression

front panel for all 3 models

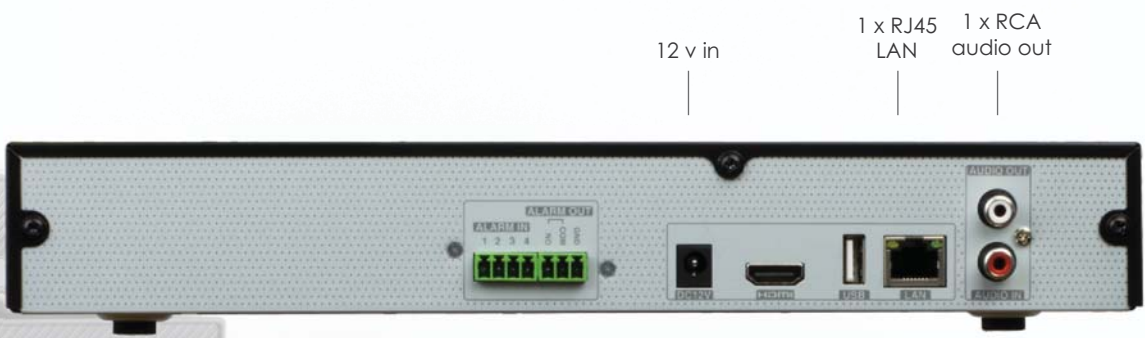


rear panel

VT-N1304H



VT-N1308H



VT-N1316H



Network Video Recorder
H.265 compression



HD Output HD IPC Network CMS STD

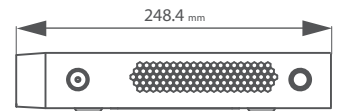
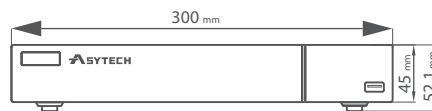
Key Features

- Support 5MP / 4MP / 3MP / 1080P / 960P / 720P IP input
- Adopt standard H.265 high profile compression format to get high-quality video at much lower bit rate
- 4K HDMI output, true high resolution display
- Intuitive and user-friendly Graphic User Interface (GUI), Windows style operation by mouse
- Multi-mode recording: manual / timer / motion / sensor
- Playback : 4 / 8 / 16 CH simultaneous playback
- Search : time slice, time, event (manual, sensor, motion), tag search
- Express and flexible backup via USB, network and so on
- Pentaplex : preview, record, playback, backup and remote access
- DHCP, DDNS, PPPoE network protocol and CMS supported
- Remote control via IE or CMS : preview, playback, backup, PTZ and configuration
- Dual stream technology for local storage with high definition, remote network transmission and remote surveillance with mobile device
- Multi-user online simultaneously
- Authorization management, log view and device status view
- Support PTZ preset and auto cruise, up to 255 presets and 8 cruises
- Support NAT function and QRCode scanning by mobile phone and PAD
- Powerful smart phone & Pad surveillance with iOS and Android OS

Specification		VT-N1304H	VT-N1308H	VT-N1316H
System	Compression	Standard H.265 High Profile		
	OS	Embedded Linux		
Video	Network Input	4 Ch. IPC input	8 Ch. IPC input	16 Ch. IPC input
	Access Bandwidth	40Mbps	64Mbps	80Mbps
	Network Access Format	5MP / 4MP / 3MP / 1080P / 960P / 720P@25 / 30fps		
	Output	HDMI (4K) × 1 : 3840 × 2160		
Audio	Network Input	4 Ch. IPC audio	8 Ch. IPC audio	16 Ch. IPC audio
	Output	RCA × 1		
Record	Record Stream	Dual stream recording		
	Resolution	5MP / 4MP / 3MP / 1080P / 960P / 720P		
	Mode	Manual, timer, motion		
Playback	Simultaneous Playback	max. 4 CH	max. 8 CH	max. 16 CH
	Search	Time slice / time / event / tag search		
	Smart Search	Highlighted color to display the camera record in a certain period of time, different colors refers to different record events		
	Function	Play, pause, FF, FB, digital zoom, etc.		
Alarm	Mode	Manual, motion, exception		
	Input	4 Ch. IPC alarm IN	8 Ch. IPC alarm IN	16 Ch. IPC alarm IN
	Output	No		
	Triggering	Record, snap, preset, e-mail, etc.		
Network	Interface	RJ45 10/100Mbps × 1		
	Protocol	TCP/IP, PPPoE, DHCP, DNS, DDNS, UPnP, NTP, SMTP		
	Web Client	Multiple users online		
Mobile Device	OS	iOS, Android		
Storage	HDD	SATA × 1, max. 6T		
	Local Backup	U disk, USB removable HDD		
Backup	Network Backup	Yes		
	USB	USB 2.0 × 2 (one in the front panel and the other in the rear panel)		
Port	Remote Cont.	Optional (Remote Controller)		
	Power Supply	DC 12V		
Others	Consumption	≤ 5W (without HDD)		≤ 10W (without HDD)
	Dimensions	300 x 248 x 52 (W x D x H) mm		
	Work Temp.	Work Environment -10 ~ 50°C, 10% ~ 90% humidity		

Design and specifications are subject to change without notice.

Dimensions



up to 5 MP

Network Video Recorder

H.265 compression

front panel

VT-N2332H

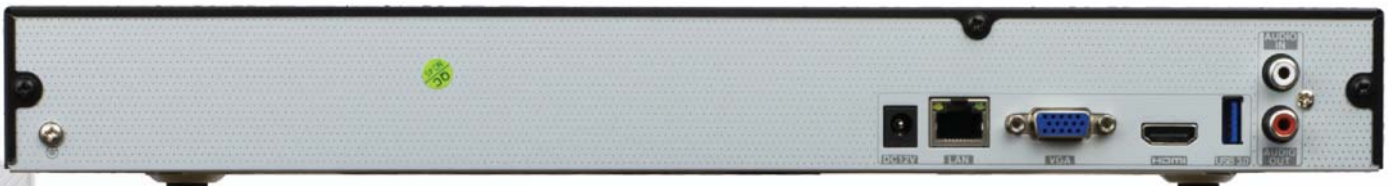


3 LED indicator
REC, LAN, and POWER 1 x USB



rear panel

12V in 1 x RJ45 LAN 1 x RCA audio in



1 x VGA video out 1 x HDMI video out 1 x USB 1 x RCA audio out



Network Video Recorder
H.265 compression



HD Output HD IPC Network CMS STD

Key Features

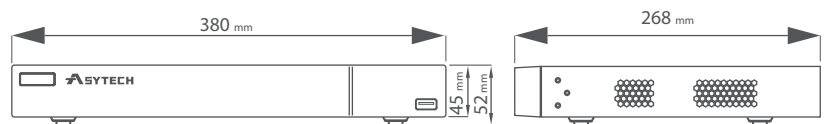
- Support 5MP / 4MP / 3MP / 1080P / 960P / 720P IP input
- Adopt standard H.265 high profile compression format to get high-quality video at much lower bit rate
- 4K HDMI output, true high resolution display
- Intuitive and user-friendly Graphic User Interface (GUI), Windows style operation by mouse
- Multi-mode recording: manual / timer / motion / sensor
- Playback : up to 16 CH simultaneous playback
- Search : time slice, time, event (manual, sensor, motion), tag search
- Express and flexible backup via USB, network and so on
- Pentaplex : preview, record, playback, backup and remote access
- DHCP, DDNS, PPPoE network protocol and CMS supported
- Remote control via IE or CMS : preview, playback, backup, PTZ and configuration
- Dual stream technology for local storage with high definition, remote network transmission and remote surveillance with mobile device
- Multi-user online simultaneously
- Authorization management, log view and device status view
- Support PTZ preset and auto cruise, up to 255 presets and 8 cruises
- Support NAT function and QRCode scanning by mobile phone and PAD
- Powerful smart phone & Pad surveillance with iOS and Android OS

Specification | **VT-N2332H**

System	Compression	Standard H.265 High Profile
	OS	Embedded Linux
Video	Network Input	32 Ch. IPC input
	Acces Bandwidth	256Mbps
	Network Access Format	5MP / 4MP / 3MP / 1080P / 960P / 720P@25 / 30fps
	Output	HDMI (4K) × 1 : 3840 × 2160, VGA × 1 : 1920 × 1080
Audio	Network Input	32 Ch. IPC audio
	2-way Audio	RCA × 1
	Local Output	RCA × 1
Record	Record Stream	Dual stream recording
	Resolution	5MP / 4MP / 3MP / 1080P / 960P / 720P
	Mode	Manual, timer, motion, sensor
Playback	Simultaneous Playback	max. 16 CH
	Search	Time slice / time / event / tag search
	Smart Search	Highlighted color to display the camera record in a certain period of time, different colors refers to different record events
	Function	Play, pause, FF, FB, digital zoom, etc.
Alarm	Mode	Manual, motion, exception
	Input	No
	Output	No
	Triggering	Record, snap, preset, e-mail, etc.
Network	Interface	Rj45 10/100/1000Mbps × 1
	Protocol	TCP/IP, PPPoE, DHCP, DNS, DDNS, UPnP, NTP, SMTP
	Web Client	Multiple users online
Mobile Device	OS	iOS, Andriod
Storage	HDD	SATA × 2, max. 6T
	Backup	Local Backup
Port	Network Backup	Yes
	USB	USB 2.0 × 2 (one in the front panel and the other in the rear panel)
Others	Remote Cont.	Optional (Remote Controller)
	Power Supply	DC 12V
	Consumption	≤ 15W (without HDD)
	Dimensions	380 x 268 x 52 (W x D x H) mm
	Work Temp.	Work Environment -10 ~ 50°C, 10% ~ 90% humidity

Design and specifications are subject to change without notice.

Dimensions



up to 3 MP

IP Surveillance Camera

Up to 3MP

DOME Camera

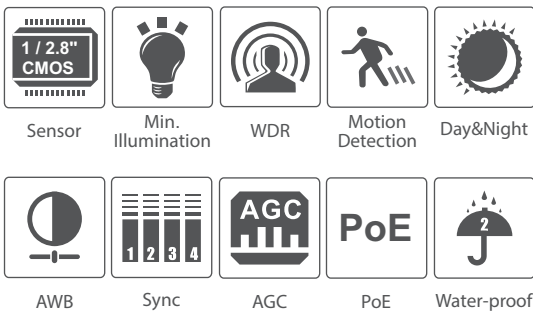


DOME
IP Surveillance Camera



Key Features

- 2MP (1920 x 1080) full real time coding
- Max. resolution: 1920 x 1080
- ICR auto switch, true day / night
- 10 ~ 20m IR night view distance
- 3D DNR, digital WDR
- ROI coding
- PoE power supply
- Support smart phone, iPad, remote monitoring
- Support P2P
- IP66 ingress protection
- Support three streams

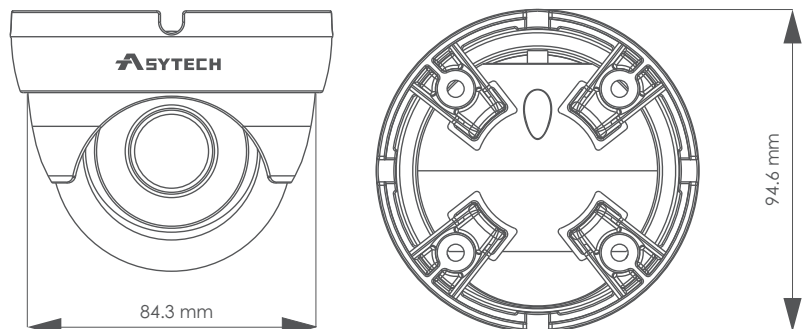


Specification

CAMERA	
Image Sensor	1 / 2.8 " Progressive Scan CMOS Sensor
Image Size	1920 x 1080
Electronic Shutter	1 / 25 s ~ 1 / 100000 s
Auto Iris	Fixed Iris
Min. illumination	0.1 lux @F1.2,AGC ON; 0 lux with IR
Lens	3.6 mm @ F1.6, angle of view: 79°
Lens Mount	M12
Day & Night	ICR
Wide Dynamic Range	Digital WDR
Digital NR	3D DNR
Angle Adjustment	Any angle
IMAGE	
Video Compression	H.264 / MJPEG
H.264 Compression Standard	Baseline Profile / Main Profile / High Profile
Resolution	1080P (1920 x 1080), 720P (1280 x 720), D1, CIF, (480 x 240)
Main Stream	60Hz: 1080P (1 ~ 30fps) / 720P (1 ~ 30fps) 50Hz: 1080P (1 ~ 25fps) / 720P (1 ~ 25fps)
Bit Rate	256Kbps ~ 5Mbps
Encode Mode	VBR / CBR
Quality	Five levels under VBR; Freely adjustable under CBR
Image Settings	ROI, Saturation, Brightness, Chroma, Contrast, Wide Dynamic, Sharpen, NR, etc. adjustable through client software or web browser
ROI	3 ROI
INTERFACES	
Network	RJ45
FUNCTIONS	
Remote Monitoring	IE browsing,CMS remote control
Online Connection	Support simultaneous monitoring for up to 3 users; Support multi-stream real time transmission
Network Protocol	TCP/IP, UDP, DHCP, NTP, RTSP, DDNS, SMT, FTP
Interface Protocol	ONVIF
Storage	Network remote storage
Smart Alarm	Motion alarm
PoE	Yes
IR Distance	10 ~ 20 m
Water-proof	IP66
OTHERS	
Power Supply	DC 12V / PoE
Power Consumption	< 2W
IR Consumption ON	< 4W
Operating environment	-30°C ~ 50 °C, 10% ~ 90% humidity
Dimensions (mm)	Φ84.3 × 94.6
Weight (net)	397g.

Design and specifications are subject to change without notice.

Dimensions

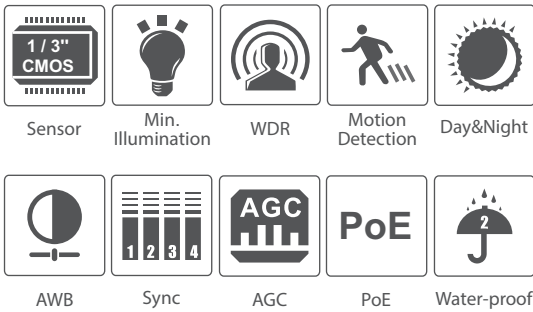


DOME
IP Surveillance Camera



Key Features

- 3MP (2048 x 1536) full real time coding
- Max. resolution: 2048 x 1536
- ICR auto switch, true day / night
- 10 ~ 20m IR night view distance
- 3D DNR, digital WDR
- ROI coding
- PoE power supply
- Support smart phone, iPad, remote monitoring
- Support P2P
- IP66 ingress protection
- Support three streams

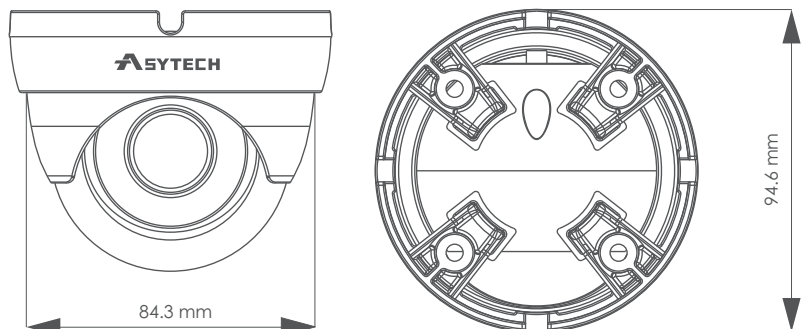


Specification

CAMERA	
Image Sensor	1 / 3 \" Progressive Scan CMOS Sensor
Image Size	2048 x 1536
Electronic Shutter	1 / 25 s ~ 1 / 100000 s
Auto Iris	Fixed Iris
Min. illumination	0.07 lux @F1.2,AGC ON; 0 lux with IR
Lens	3.6 mm @ F1.6, angle of view: 70°
Lens Mount	M12
Day & Night	ICR
Wide Dynamic Range	Digital WDR
Digital NR	3D DNR
Angle Adjustment	Any angle
IMAGE	
Video Compression	H.264 / MJPEG
H.264 Compression Standard	Baseline Profile / Main Profile / High Profile
Resolution	3MP (2048 x 1536), 1080P (1920 x 1080), 720P (1280 x 720)
Main Stream	60Hz : 3MP (1~30fps) / 1080P (1~30fps) / 720P (1~30fps) 50Hz : 3MP (1~25fps) / 1080P (1~25fps) / 720P (1~25fps)
Bit Rate	128 Kbps ~ 6 Mbps
Encode Mode	VBR / CBR
Quality	Five levels under VBR; Freely adjustable under CBR
Image Settings	ROI, Saturation, Brightness, Chroma, Contrast, Wide Dynamic, Sharpen, NR, etc. adjustable through client software or web browser
ROI	3 ROI
INTERFACES	
Network	RJ45
FUNCTIONS	
Remote Monitoring	IE browsing,CMS remote control
Online Connection	Support simultaneous monitoring for up to 3 users; Support multi-stream real time transmission
Network Protocol	TCP/IP, UDP, DHCP, NTP, RTSP, DDNS, SMT, FTP
Interface Protocol	ONVIF
Storage	Network remote storage
Smart Alarm	Motion alarm
PoE	Yes
IR Distance	10 ~ 20 m
Water-proof	IP66
OTHERS	
Power Supply	DC 12V / PoE
Power Consumption	< 2W
IR Consumption ON	< 4.5W
Operating environment	-30°C ~ 50 °C, 10% ~ 90% humidity
Dimensions (mm)	Φ84.3 × 94.6
Weight (net)	428g.

Design and specifications are subject to change without notice.

Dimensions



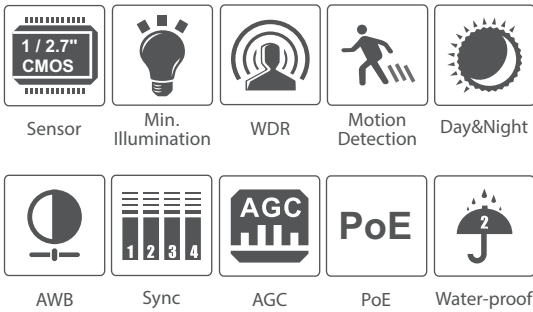
DOME

IP Surveillance Camera with AUDIO IN



Key Features

- 2MP (1920 x 1080) full real time coding
- Max. resolution: 1920 x 1080
- Audio IN
- ICR auto switch, true day / night
- 10 ~ 20m IR night view distance
- 3D DNR, digital WDR
- ROI coding
- PoE power supply
- Support smart phone, iPad, remote monitoring
- Support P2P
- IP66 ingress protection
- Support three streams

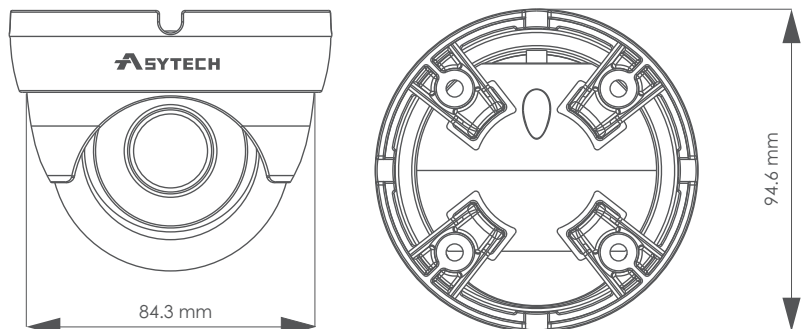


Specification

CAMERA	
Image Sensor	1 / 2.7 " Progressive Scan CMOS Sensor
Image Size	1920 x 1080
Electronic Shutter	1 / 25 s ~ 1 / 100000 s
Auto Iris	Fixed Iris
Min. illumination	0.05 lux @F1.2,AGC ON; 0 lux with IR
Lens	3.6 mm @ F1.6, angle of view: 77°
Lens Mount	M12
Day & Night	ICR
Wide Dynamic Range	Digital WDR
Digital NR	3D DNR
Angle Adjustment	Any angle
IMAGE	
Video Compression	H.264 / MJPEG
H.264 Compression Standard	Baseline Profile / Main Profile / High Profile
Resolution	1080P (1920 x 1080), 720P (1280 x 720), D1, CIF, (480 x 240)
Main Stream	60Hz: 1080P (1 ~ 30fps) / 720P (1 ~ 30fps) 50Hz: 1080P (1 ~ 25fps) / 720P (1 ~ 25fps)
Bit Rate	128 Kbps ~ 6 Mbps
Encode Mode	VBR / CBR
Quality	Five levels under VBR; Freely adjustable under CBR
Image Settings	ROI, Saturation, Brightness, Chroma, Contrast, Wide Dynamic, Sharpen, NR, etc. adjustable through client software or web browser
ROI	8 ROI
INTERFACES	
Network	RJ45
Audio	MIC IN x 1
OTHERS	
Remote Monitoring	IE browsing,CMS remote control
Online Connection	Support simultaneous monitoring for up to 3 users; Support multi-stream real time transmission
Network Protocol	TCP/IP, UDP, DHCP, NTP, RTSP, DDNS, SMTp, FTP
Interface Protocol	ONVIF, GB-T / 28181 - 2011
Storage	Network remote storage
Smart Alarm	Motion alarm
PoE	Yes
IR Distance	10 ~ 20 m
Water-proof	IP66
Power Supply	DC 12V / PoE
Power Consumption	< 3W
IR Consumption ON	< 5W
Operating environment	-30°C ~ 50 °C, 10% ~ 90% humidity
Dimensions (mm)	Φ84.3 × 94.6
Weight (net)	370g.

Design and specifications are subject to change without notice.

Dimensions



DOME
IP Surveillance Camera



Key Features

- 2MP (1920 x 1080) full real time coding
- Max. resolution: 1920 x 1080
- ICR auto switch, true day / night
- 30 ~ 40m IR night view distance
- Third generation of dot matrix LED IR lights, small size, efficient heat dissipation, long life
- 3D DNR, digital WDR
- ROI coding
- PoE power supply
- Support smart phone, iPad, remote monitoring
- Support P2P
- IP66 ingress protection
- Support three streams

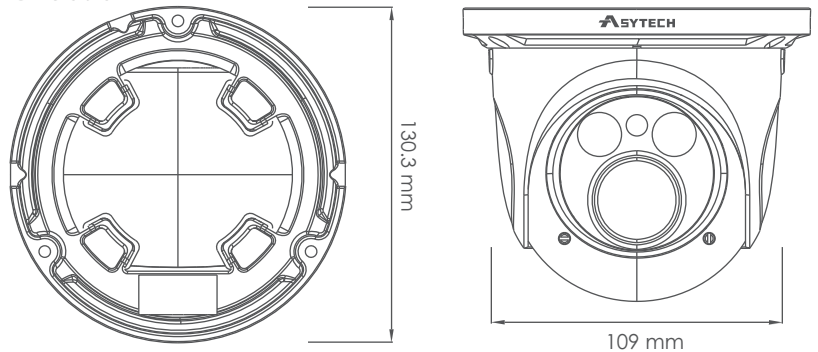
Sensor	Min. Illumination	WDR	Motion Detection	Day&Night
AWB	Sync	AGC	PoE	Water-proof

Specification

CAMERA	
Image Sensor	1 / 2.8 " Progressive Scan CMOS Sensor
Image Size	1920 x 1080
Electronic Shutter	1 / 25 s ~ 1 / 100000 s
Auto Iris	Fixed Iris
Min. illumination	0.1 lux @F1.2,AGC ON; 0 lux with IR
Lens	2.8 ~ 12 mm @ F1.4, angle of view : 96° ~ 35°
Lens Mount	M14
Day & Night	ICR
Wide Dynamic Range	Digital WDR
Digital NR	3D DNR
Angle Adjustment	Pan : 0°~360°, Tilt : 0°~90°, Rotation : 0°~360°
IMAGE	
Video Compression	H.264 / MJPEG
H.264 Compression Standard	Baseline Profile / Main Profile / High Profile
Resolution	1080P (1920 x 1080), 720P (1280 x 720), D1, CIF, (480 x 240)
Main Stream	60Hz: 1080P (1 ~ 30fps) / 720P (1 ~ 30fps) 50Hz: 1080P (1 ~ 25fps) / 720P (1 ~ 25fps)
Bit Rate	256Kbps ~ 5Mbps
Encode Mode	VBR / CBR
Quality	Five levels under VBR; Freely adjustable under CBR
Image Settings	ROI, Saturation, Brightness, Chroma, Contrast, Wide Dynamic, Sharpen, NR, etc. adjustable through client software or web browser
ROI	3 ROI
INTERFACES	
Network	RJ45
FUNCTIONS	
Remote Monitoring	IE browsing,CMS remote control
Online Connection	Support simultaneous monitoring for up to 3 users; Support multi-stream real time transmission
Network Protocol	TCP/IP, UDP, DHCP, NTP, RTSP, DDNS, SMT, FTP
Interface Protocol	ONVIF
Storage	Network remote storage
Smart Alarm	Motion alarm
PoE	Yes
IR Distance	30 ~ 40 m
Water-proof	IP66
OTHERS	
Power Supply	DC 12V / PoE
Power Consumption	< 2W
IR Consumption ON	< 4.5W
Operating environment	-30°C ~ 50 °C, 10% ~ 90% humidity
Dimensions (mm)	Φ109 x 130
Weight (net)	688g.

Design and specifications are subject to change without notice.

Dimensions

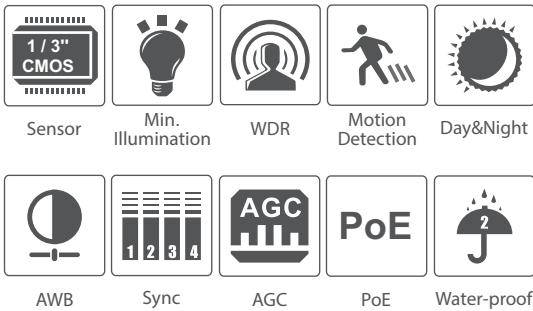


DOME
IP Surveillance Camera



Key Features

- 3MP (2048 x 1536) full real time coding
- Max. resolution: 2048 x 1536
- ICR auto switch, true day / night
- 30 ~ 40m IR night view distance
- Third generation of dot matrix LED IR lights, small size, efficient heat dissipation, long life
- 3D DNR, digital WDR
- ROI coding
- PoE power supply
- Support smart phone, iPad, remote monitoring
- Support P2P
- IP66 ingress protection
- Support three streams

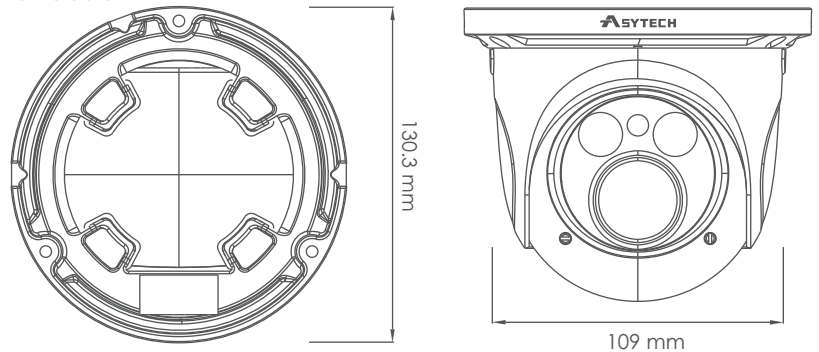


Specification

CAMERA	
Image Sensor	1 / 3 \" Progressive Scan CMOS Sensor
Image Size	2048 x 1536
Electronic Shutter	1 / 25 s ~ 1 / 100000 s
Auto Iris	Fixed Iris
Min. illumination	0.07 lux @F1.2,AGC ON; 0 lux with IR
Lens	3.6 mm @ F1.6, angle of view: 70°
Lens Mount	M12
Day & Night	ICR
Wide Dynamic Range	Digital WDR
Digital NR	3D DNR
Angle Adjustment	Any angle
IMAGE	
Video Compression	H.264 / MJPEG
H.264 Compression Standard	Baseline Profile / Main Profile / High Profile
Resolution	3MP (2048 x 1536), 1080P (1920 x 1080), 720P (1280 x 720)
Main Stream	60Hz : 3MP (1~30fps) / 1080P (1~30fps) / 720P (1~30fps) 50Hz : 3MP (1~25fps) / 1080P (1~25fps) / 720P (1~25fps)
Bit Rate	128 Kbps ~ 6 Mbps
Encode Mode	VBR / CBR
Quality	Five levels under VBR; Freely adjustable under CBR
Image Settings	ROI, Saturation, Brightness, Chroma, Contrast, Wide Dynamic, Sharpen, NR, etc. adjustable through client software or web browser
ROI	3 ROI
INTERFACES	
Network	RJ45
FUNCTIONS	
Remote Monitoring	IE browsing,CMS remote control
Online Connection	Support simultaneous monitoring for up to 3 users; Support multi-stream real time transmission
Network Protocol	TCP/IP, UDP, DHCP, NTP, RTSP, DDNS, SMT, FTP
Interface Protocol	ONVIF
Storage	Network remote storage
Smart Alarm	Motion alarm
PoE	Yes
IR Distance	30 ~ 40 m
Water-proof	IP66
OTHERS	
Power Supply	DC 12V / PoE
Power Consumption	< 2W
IR Consumption ON	< 4.5W
Operating environment	-30°C ~ 50 °C, 10% ~ 90% humidity
Dimensions (mm)	Φ109 x 130
Weight (net)	688g.

Design and specifications are subject to change without notice.

Dimensions



up to 3 MP

IP Surveillance Camera

Up to 3MP

BULLET Camera

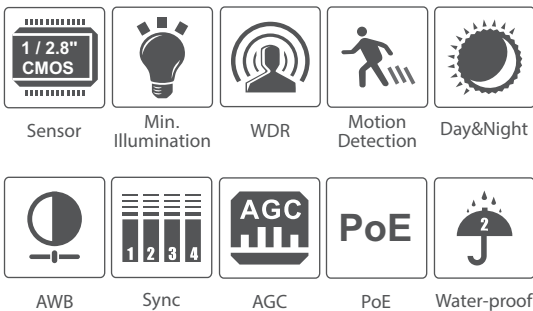


BULLET
IP Surveillance Camera



Key Features

- 2MP (1920 x 1080) full real time coding
- Max. resolution: 1920 x 1080
- ICR auto switch, true day / night
- 10 ~ 20m IR night view distance
- 3D DNR, digital WDR
- ROI coding
- PoE power supply
- Support smart phone, iPad, remote monitoring
- Support P2P
- IP66 ingress protection
- Support three streams

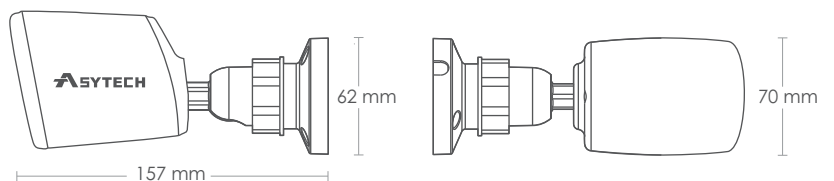


Specification

CAMERA	
Image Sensor	1 / 2.8 " Progressive Scan CMOS Sensor
Image Size	1920 x 1080
Electronic Shutter	1 / 25 s ~ 1 / 100000 s
Auto Iris	Fixed Iris
Min. illumination	0.1 lux @F1.2,AGC ON; 0 lux with IR
Lens	3.6 mm @ F1.6, angle of view: 79°
Lens Mount	M12
Day & Night	ICR
Wide Dynamic Range	Digital WDR
Digital NR	3D DNR
Angle Adjustment	Any angle
IMAGE	
Video Compression	H.264 / MJPEG
H.264 Compression Standard	Baseline Profile / Main Profile / High Profile
Resolution	1080P (1920 x 1080), 720P (1280 x 720), D1, CIF, (480 x 240)
Main Stream	60Hz: 1080P (1 ~ 30fps) / 720P (1 ~ 30fps) 50Hz: 1080P (1 ~ 25fps) / 720P (1 ~ 25fps)
Bit Rate	256Kbps ~ 5Mbps
Encode Mode	VBR / CBR
Quality	Five levels under VBR; Freely adjustable under CBR
Image Settings	ROI, Saturation, Brightness, Chroma, Contrast, Wide Dynamic, Sharpen, NR, etc. adjustable through client software or web browser
ROI	3 ROI
INTERFACES	
Network	RJ45
FUNCTIONS	
Remote Monitoring	IE browsing,CMS remote control
Online Connection	Support simultaneous monitoring for up to 3 users; Support multi-stream real time transmission
Network Protocol	TCP/IP, UDP, DHCP, NTP, RTSP, DDNS, SMTP, FTP
Interface Protocol	ONVIF
Storage	Network remote storage
Smart Alarm	Motion alarm
PoE	Yes
IR Distance	10 ~ 20 m
Water-proof	IP66
OTHERS	
Power Supply	DC 12V / PoE
Power Consumption	< 2W
IR Consumption ON	< 4W
Operating environment	-30°C ~ 50 °C, 10% ~ 90% humidity
Dimensions (mm)	70 x 157
Weight (net)	306g.

Design and specifications are subject to change without notice.

Dimensions



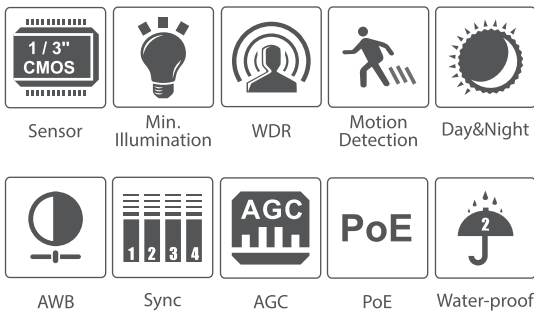
BULLET

IP Surveillance Camera



Key Features

- 3MP (2048 x 1536) full real time coding
- Max. resolution: 2048 x 1536
- ICR auto switch, true day / night
- 10 ~ 20m IR night view distance
- 3D DNR, digital WDR
- ROI coding
- PoE power supply
- Support smart phone, iPad, remote monitoring
- Support P2P
- IP66 ingress protection
- Support three streams

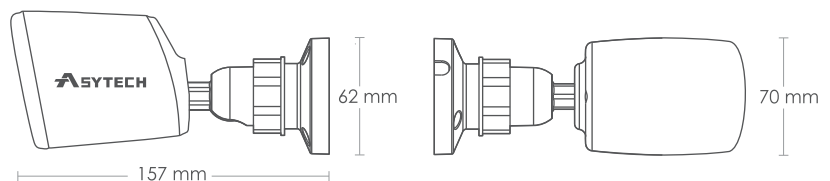


Specification

CAMERA	
Image Sensor	1 / 3 " Progressive Scan CMOS Sensor
Image Size	2048 x 1536
Electronic Shutter	1 / 25 s ~ 1 / 100000 s
Auto Iris	Fixed Iris
Min. illumination	0.07 lux @F1.2,AGC ON; 0 lux with IR
Lens	3.6 mm @ F1.6, angle of view: 70°
Lens Mount	M12
Day & Night	ICR
Wide Dynamic Range	Digital WDR
Digital NR	3D DNR
Angle Adjustment	Any angle
IMAGE	
Video Compression	H.264 / MJPEG
H.264 Compression Standard	Baseline Profile / Main Profile / High Profile
Resolution	3MP (2048 x 1536), 1080P (1920 x 1080), 720P (1280 x 720)
Main Stream	60Hz : 3MP (1~30fps) / 1080P (1~30fps) / 720P (1~30fps) 50Hz : 3MP (1~25fps) / 1080P (1~25fps) / 720P (1~25fps)
Bit Rate	128 Kbps ~ 6 Mbps
Encode Mode	VBR / CBR
Quality	Five levels under VBR; Freely adjustable under CBR
Image Settings	ROI, Saturation, Brightness, Chroma, Contrast, Wide Dynamic, Sharpen, NR, etc. adjustable through client software or web browser
ROI	3 ROI
INTERFACES	
Network	RJ45
FUNCTIONS	
Remote Monitoring	IE browsing,CMS remote control
Online Connection	Support simultaneous monitoring for up to 3 users; Support multi-stream real time transmission
Network Protocol	TCP/IP, UDP, DHCP, NTP, RTSP, DDNS, SMTP, FTP
Interface Protocol	ONVIF
Storage	Network remote storage
Smart Alarm	Motion alarm
PoE	Yes
IR Distance	10 ~ 20 m
Water-proof	IP66
OTHERS	
Power Supply	DC 12V / PoE
Power Consumption	< 2W
IR Consumption ON	< 4W
Operating environment	-30°C ~ 50 °C, 10% ~ 90% humidity
Dimensions (mm)	70 x 157
Weight (net)	306 g.

Design and specifications are subject to change without notice.

Dimensions

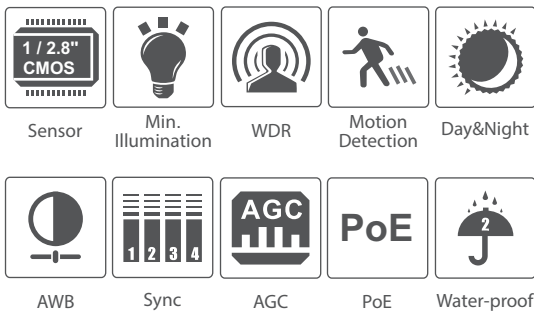


BULLET
IP Surveillance Camera



Key Features

- 2MP (1920 x 1080) full real time coding
- Max. resolution: 1920 x 1080
- ICR auto switch, true day / night
- 20 ~ 30m IR night view distance
- 3D DNR, digital WDR
- ROI coding
- PoE power supply
- Support smart phone, iPad, remote monitoring
- Support P2P
- IP66 ingress protection
- Support three streams

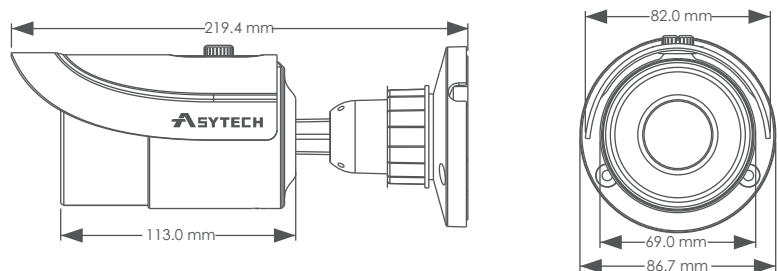


Specification

CAMERA	
Image Sensor	1 / 2.8 " Progressive Scan CMOS Sensor
Image Size	1920 x 1080
Electronic Shutter	1 / 25 s ~ 1 / 100000 s
Auto Iris	Fixed Iris
Min. illumination	0.1 lux @F1.2,AGC ON; 0 lux with IR
Lens	2.8 ~ 12 mm @ F1.4, angle of view : 96° ~ 35°
Lens Mount	M12
Day & Night	ICR
Wide Dynamic Range	Digital WDR
Digital NR	3D DNR
Angle Adjustment	Any angle
IMAGE	
Video Compression	H.264 / MJPEG
H.264 Compression Standard	Baseline Profile / Main Profile / High Profile
Resolution	1080P (1920 x 1080), 720P (1280 x 720), D1, CIF, (480 x 240)
Main Stream	60Hz: 1080P (1 ~ 30fps) / 720P (1 ~ 30fps) 50Hz: 1080P (1 ~ 25fps) / 720P (1 ~ 25fps)
Bit Rate	256Kbps ~ 5Mbps
Encode Mode	VBR / CBR
Quality	Five levels under VBR; Freely adjustable under CBR
Image Settings	ROI, Saturation, Brightness, Chroma, Contrast, Wide Dynamic, Sharpen, NR, etc. adjustable through client software or web browser
ROI	3 ROI
INTERFACES	
Network	RJ45
FUNCTIONS	
Remote Monitoring	IE browsing,CMS remote control
Online Connection	Support simultaneous monitoring for up to 3 users; Support multi-stream real time transmission
Network Protocol	TCP/IP, UDP, DHCP, NTP, RTSP, DDNS, SMT, FTP
Interface Protocol	ONVIF
Storage	Network remote storage
Smart Alarm	Motion alarm
PoE	Yes
IR Distance	20 ~ 30 m
Water-proof	IP66
OTHERS	
Power Supply	DC 12V / PoE
Power Consumption	< 2W
IR Consumption ON	< 5W
Operating environment	-30°C ~ 50 °C, 10% ~ 90% humidity
Dimensions (mm)	Φ87 × 219
Weight (net)	605g.

Design and specifications are subject to change without notice.

Dimensions



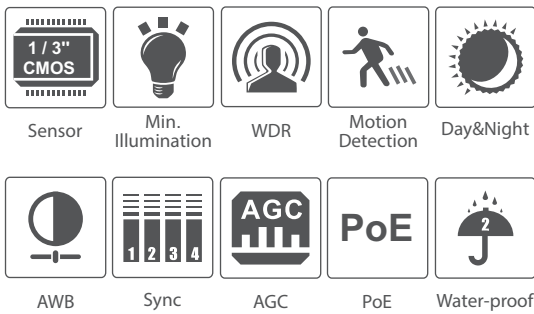
BULLET

IP Surveillance Camera



Key Features

- 3MP (2048 x 1536) full real time coding
- Max. resolution: 2048 x 1536
- ICR auto switch, true day / night
- 20 ~ 30m IR night view distance
- 3D DNR, digital WDR
- ROI coding
- PoE power supply
- Support smart phone, iPad, remote monitoring
- Support P2P
- IP66 ingress protection
- Support three streams

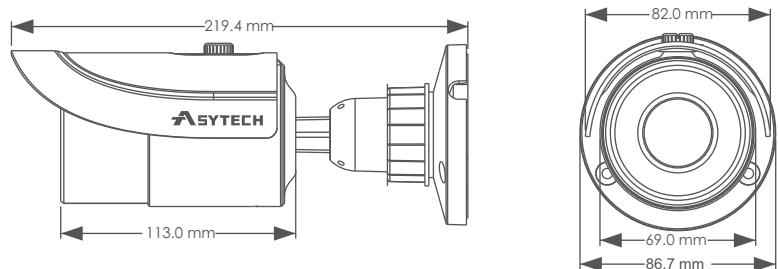


Specification

CAMERA	
Image Sensor	1/3" Progressive Scan CMOS Sensor
Image Size	2048 x 1536
Electronic Shutter	1 / 25 s ~ 1 / 100000 s
Auto Iris	Fixed Iris
Min. illumination	0.07 lux @F1.2,AGC ON; 0 lux with IR
Lens	2.8 ~ 12 mm @ F1.4, angle of view: 84° ~ 27°
Lens Mount	M14
Day & Night	ICR
Wide Dynamic Range	Digital WDR
Digital NR	3D DNR
Angle Adjustment	Any angle
IMAGE	
Video Compression	H.264 / MJPEG
H.264 Compression Standard	Baseline Profile / Main Profile / High Profile
Resolution	3MP (2048 x 1536), 1080P (1920 x 1080), 720P (1280 x 720)
Main Stream	60Hz : 3MP (1~30fps) / 1080P (1~30fps) / 720P (1~30fps) 50Hz : 3MP (1~25fps) / 1080P (1~25fps) / 720P (1~25fps)
Bit Rate	128 Kbps ~ 6 Mbps
Encode Mode	VBR / CBR
Quality	Five levels under VBR; Freely adjustable under CBR
Image Settings	ROI, Saturation, Brightness, Chroma, Contrast, Wide Dynamic, Sharpen, NR, etc. adjustable through client software or web browser
ROI	3 ROI
INTERFACES	
Network	RJ45
FUNCTIONS	
Remote Monitoring	IE browsing,CMS remote control
Online Connection	Support simultaneous monitoring for up to 3 users; Support multi-stream real time transmission
Network Protocol	TCP/IP, UDP, DHCP, NTP, RTSP, DDNS, SMT, FTP
Interface Protocol	ONVIF
Storage	Network remote storage
Smart Alarm	Motion alarm
PoE	Yes
IR Distance	20 ~ 30 m
Water-proof	IP66
OTHERS	
Power Supply	DC 12V / PoE
Power Consumption	< 2W
IR Consumption ON	< 5.5W
Operating environment	-30°C ~ 50 °C, 10% ~ 90% humidity
Dimensions (mm)	Φ87 × 219
Weight (net)	636g.

Design and specifications are subject to change without notice.

Dimensions





www.asytech.ro

think smart, choose smart